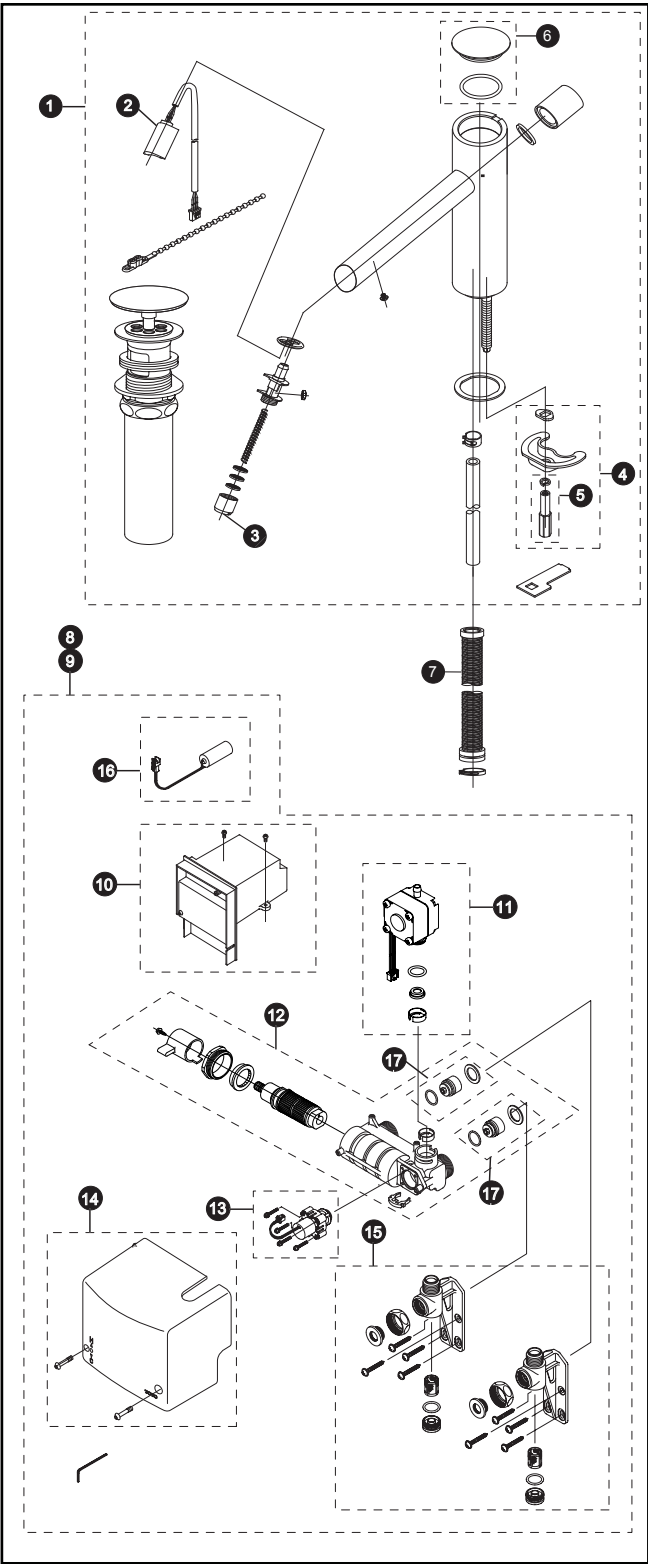


TEL5GM10/60#RY

TEL5GM10#RY
 TEL5GM60#RY
 TEN12AWV400S (Spout)
 TN78-10V410 (TEL5GM10#RY Dynamo)
 TN78-10V460R (TEL5GM60#RY Dynamo)

Sensor Faucet, Ryohan™ Spout with Grid Drain and Cap Self-Generating EcoPower® System Thermal Mixing, 0.8 GPM



Item	Part	Description
1	TEN12AWV400S	Spout Assembly (Without Flexible Tube)
2	TH559EDV436	Sensor
3	TH559EDV453	Nozzle Assembly Set
4	TH559EDV402R	Spout Mounting Kit
5	TH559EDV403R	Spout Nuts (5 pieces)
6	TH559EDV455	Top Cap Set
7	THU3023	Flexible Tube
8	TN78-10V410	Dynamo Assembly (TEL5GM10#RY)
9	TN78-10V460R	Dynamo Assembly (TEL5GM60#RY)
10	TH559EDV560	Thermal Dynamo Controller Unit 10 sec.
	TH559EDV467	Thermal Dynamo Controller Unit 60 sec.
11	TH559EDV468	Dynamo Hydropower Generator
12	TH559EDV469	Thermal Mixing Valve
13	TH559EDV470	Solenoid and Diaphragm Assembly
14	TH559EDV471	Control Cover Set
15	TH559EDV429R	Mounting Bracket Set
16	TH559EDV410R	Back-Up Battery
17	TH559EDV472	Check Valve

Product Number Explanations

Faucet
 (T) Fitting
 (E) Electronic
 (L) Lavatory
 (S) Thermal Mixing
 (G) Generator Type
 (M) Ryohan Spout
 (10) 10 Second
 (60) 60 Second
 (#RY) PVD "Ryohan" Finish