

SONG®

Bath & Kitchen Masterpieces®
The Leader in Style and Price™

ALLEGRO™

DOUBLE BOWL KITCHEN SINK S-8640

Features

- SONG cast iron
- Acid-resistant enamel finish
- Double (large/low-medium/high) size bowls
- Self-rimming and undercounter model available
- Self-rimming model with 1 hole (-1), 2-hole (-2), 3-hole (-3) or 4-hole (-4) available
- Undercounter model with 5-hole oversized (-5U) available
- 43" (109.2cm) x 22" (55.9cm)



Codes/Standards Compliance

Specified model meets or exceeds the following specifications:

- American Standard ASME A112.19.1M
- British Standard BS EN 13310:2003
- Canadian Standard CSA B45
- European Standard EN 13310-2003
- IAPMO/cUPC

Colors

- 70 white
- Other refer to price book

Specific Model

Model #	Description	Color	
8640-1	1 Hole Sink (center, self-rimming)	<input type="checkbox"/> 70	<input type="checkbox"/> Other _____
8640-2	2 Hole Sink (center & accessory)	<input type="checkbox"/> 70	<input type="checkbox"/> Other _____
8640-3	3 Hole Sink (self-rimming)	<input type="checkbox"/> 70	<input type="checkbox"/> Other _____
8640-4	4 Hole Sink (self-rimming)	<input type="checkbox"/> 70	<input type="checkbox"/> Other _____
8640-5U	5 Hole Sink (undercounter)	<input type="checkbox"/> 70	<input type="checkbox"/> Other _____

Product Specifications

The kitchen Sink shall be made of cast iron with acid-resistant enamel finish. Sink shall be double (large/low-medium/high) bowl. Sink shall be either self-rimming, or undercounter mount. Sink shall be 1 hole, 2-hole, 3-hole, 4-hole or 5-hole (oversized). Sink shall be 43" (109.2cm) in length and 22" (55.9cm) in width. Sink shall be SONG model 8640-____-____

SONG®

Bath & Kitchen Masterpieces®
The Leader in Style and Price™

ALLEGRO™

DOUBLE BOWL KITCHEN SINK S-8640

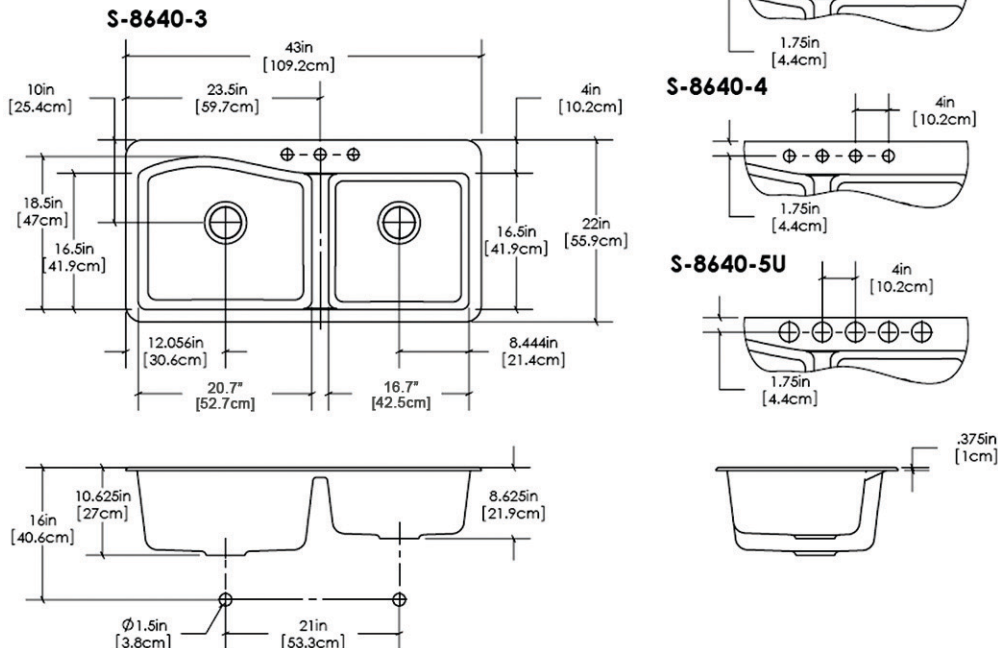
Technical Details *

Double Bowl Kitchen Sink	
Bowl area	20.7" x 18.5" (527 mm x 470 mm)
	16.7" x 16.5" (425 mm x 419 mm)
Bowl depth	10.6" (270 mm) large bowl
	8.6" (219 mm) medium bowl
Drain holes	3.75" (95 mm)
Faucet holes self rimming	1.375" (35 mm)
Faucet holes undercounter	2.375" (60 mm)

* All measurements are approximate and for comparison only.

Included Components

Undermount Sink Kit	S-2300
Undermount Cut-out Template	S-8640U-T
Self Rimming Cut-out Template	S-8640-T



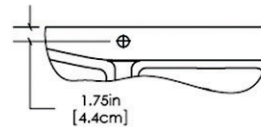
Installation Notes

Install this product according to the installation guide.

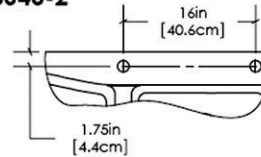
Song recommends that an experienced cabinet maker use the actual sink to build the new cabinet or modify an existing cabinet.

Faucet holes in undercounter fixture are oversized at 2-3/8" (60 mm) D. Drill faucet holes in counter according to fitting rough-in.

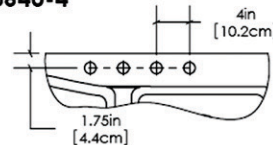
S-8640-1



S-8640-2



S-8640-4



S-8640-5U

