

SONG®

Bath & Kitchen Masterpieces®
The Leader in Style and Price™

CALYPSO™

ENTERTAINMENT SINK S-8280

Features

- SONG cast iron
- Acid-resistant enamel finish
- Single bowl
- Self-rimming and undercounter model available
- Self-rimming model with 1-hole(-1), 2-hole with 4" center set (-2), 3-hole with 4" center set (-3-4) or 3-hole 8" wide spread (-3-8) available
- 15" (38.1cm) x 15" (38.1cm)



Codes/Standards Compliance

Specified model meets or exceeds the following specifications:

- American Standard ASME A112.19.1M
- British Standard BS EN 13310:2003
- Canadian Standard CSA B45
- European Standard EN 13310-2003
- IAPMO/cUPC

Colors

- 70 white
- Other refer to price book

Specific Model

Model #	Description	Color	
S-8280-1	1 Hole Sink (center, self-rimming)	<input type="checkbox"/> 70	<input type="checkbox"/> Other_____
S-8280-2	2 Hole Sink (center, self-rimming) 4" center	<input type="checkbox"/> 70	<input type="checkbox"/> Other_____
S-8280-3-4	3 Hole Sink (self-rimming) 4" centerset	<input type="checkbox"/> 70	<input type="checkbox"/> Other_____
S-8230-3-8	3 Hole Sink (self-rimming) 8" centerset	<input type="checkbox"/> 70	<input type="checkbox"/> Other_____
S-8480-3U	3 Hole Sink (undercounter)	<input type="checkbox"/> 70	<input type="checkbox"/> Other_____

Product Specifications

The entertainment Sink shall be made of cast iron with acid-resistant enamel finish. Sink shall be either self-rimming, or undercounter mount. Sink shall be 15" (38.1cm) in length and 15" (38.1cm) in width. Sink shall be SONG model S-8280-____-____

SONG®

Bath & Kitchen Masterpieces®
The Leader in Style and Price™

CALYPSO™

ENTERTAINMENT SINK S-8280

Technical Details *

Entertainment Sink	
Bowl area	13.5" x 10.75" (343mm x 273 mm)
Bowl depth	8.62" (219 mm)
Drain hole	3.75" (96 mm)
Faucet holes self rimming	1.375" (35 mm)
Faucet holes undercounter	2.375" (60 mm)

* All measurements are approximate and for comparison only.

Included Components

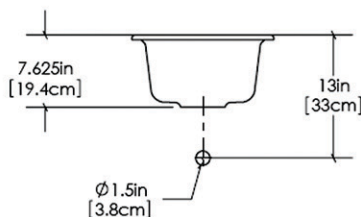
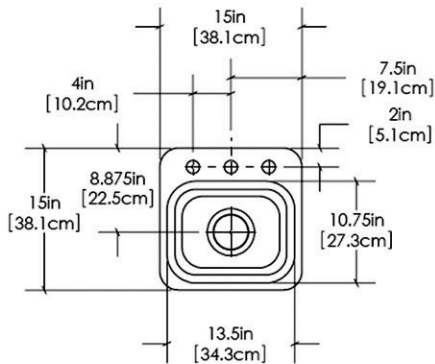
Undermount Sink Kit	S-2300
Undermount Cut-out Template	S-8280U-T
Self Rimming Cut-out Template	S-8280-T

Installation Notes

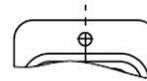
Install this product according to the installation guide.

Song recommends that an experienced cabinet maker use the actual sink to build the new cabinet or modify an existing cabinet.

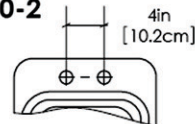
S-8280-3-8



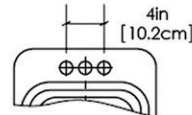
S-8280-1



S-8280-2



S-8280-3-4



S-8280-U

