

SONG®

Bath & Kitchen Masterpieces®
The Leader in Style and Price™

ELEGANTE™

SINGLE BOWL KITCHEN SINK S-8210

Features

- SONG cast iron
- Acid-resistant enamel finish
- Single large bowl
- Self-rimming and undercounter model available
- Self-rimming model with 1 hole (-1), 2-hole (-2), 3-hole (-3) or 4-hole (-4) available
- Undercounter model with 4-hole oversized (-4U) available
- 25" (63.5CM) x 22" (55.9cm)



Codes/Standards Compliance

Specified model meets or exceeds the following specifications:

- American Standard ASME A112.19.1M
- British Standard BS EN 13310:2003
- Canadian Standard CSA B45
- European Standard EN 13310-2003
- IAPMO/cUPC

Colors

- 70 white
- Other refer to price book

Specific Model

Model #	Description	Color	
S-8210-1	1 Hole Sink (center, self-rimming)	<input type="checkbox"/> 70	<input type="checkbox"/> Other_____
S-8210-2	2 Hole Sink (center & accessory)	<input type="checkbox"/> 70	<input type="checkbox"/> Other_____
S-8210-3	3 Hole Sink (self-rimming)	<input type="checkbox"/> 70	<input type="checkbox"/> Other_____
S-8210-4	4 Hole Sink (self-rimming)	<input type="checkbox"/> 70	<input type="checkbox"/> Other_____
S-8210-4U	5 Hole Sink (undercounter)	<input type="checkbox"/> 70	<input type="checkbox"/> Other_____

Product Specifications

The kitchen Sink shall be made of cast iron with acid-resistant enamel finish. Sing shall be single bowl. Sink shall be either self-rimming, or undercounter mount. Sink shall be 1 hole, 2-hole, 3-hole,4-hole or 4-hole (oversized). Sink shall be 25" (63.5cm) in length and 22" (55.9cm) in width. Sink shall be SONG model 8210-____-____

SONG®

Bath & Kitchen Masterpieces®
The Leader in Style and Price™

ELEGANTE™

SINGLE BOWL KITCHEN SINK S-8210

Technical Details *

Single Bowl Kitchen Sink	
Bowl area	21.25" x16" (540 mm x 406 mm)
Bowl depth	8.6" (219 mm)
Drain hole	3.75" (96 mm)
Faucet holes self rimming	1.375" (35 mm)
Faucet holes undercounter	2.375" (60 mm)

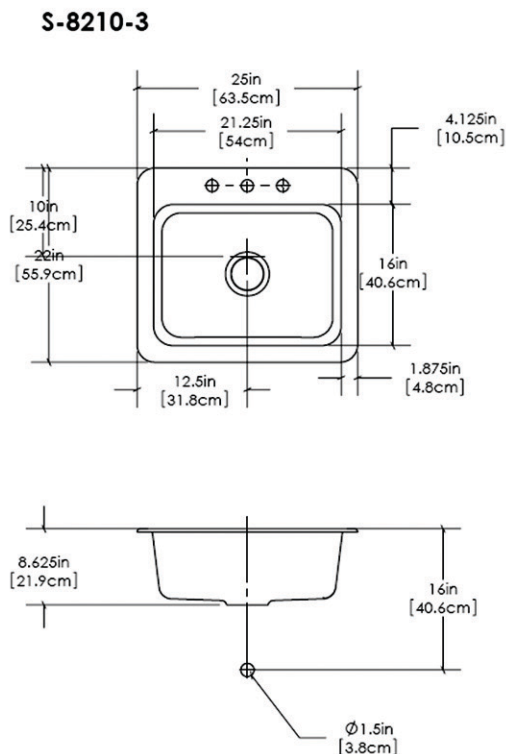
* All measurements are approximate and for comparison only.

Included Components

Undermount Sink Kit	S-2300
Undermount Cut-out Template	S-8210U-T
Self Rimming Cut-out Template	S-8210-T

Installation Notes

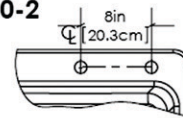
Install this product according to the installation guide.



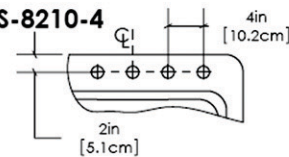
S-8210-1



S-8210-2



S-8210-4



S-8210-4U

