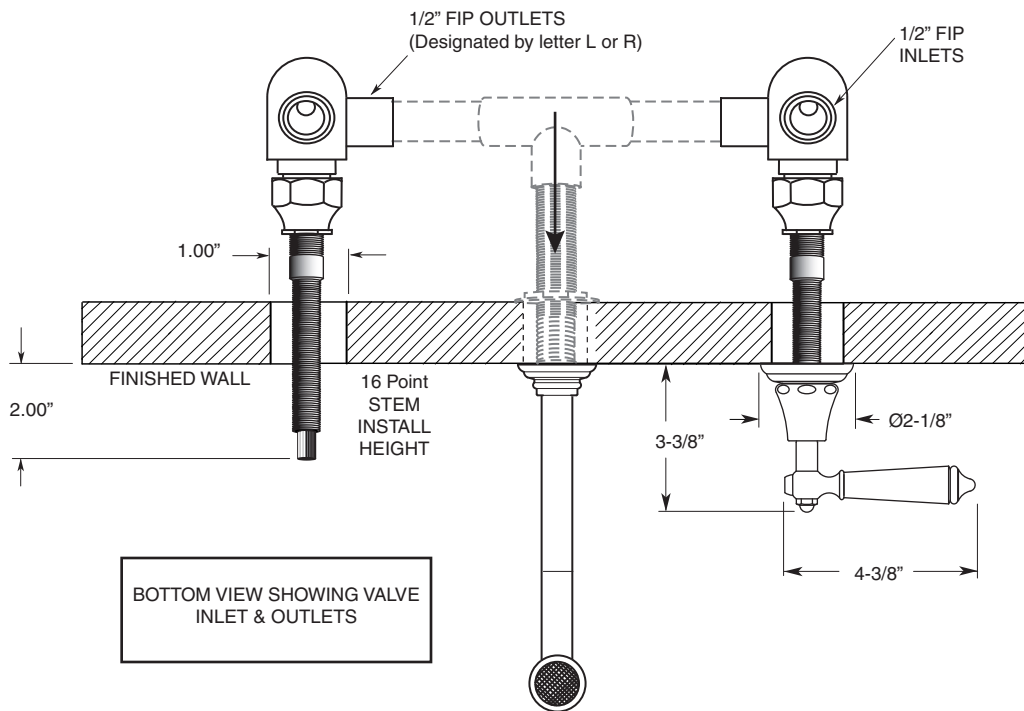
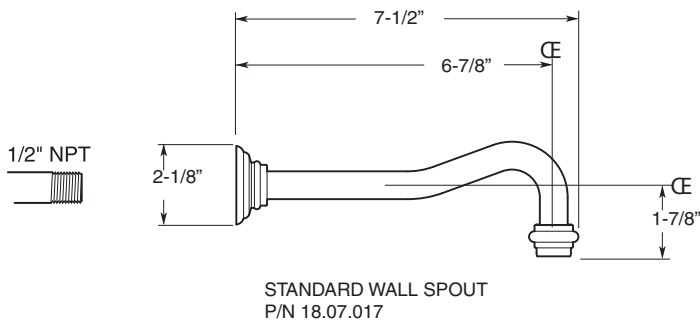


**FEATURES:**

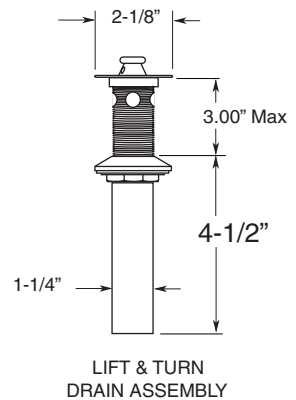
- All brass construction
- Independent corner valves
- Includes lift & turn drain assembly with overflow: P/N 18.11.042
- Extended wall vessel spout, 10-1/2" long, available P/N: 18.07.018
- 1/4-turn ceramic disc valve cartridge.
- Available in all finishes. Warranty varies according to finish selection.
- Certified to meet or exceed the following codes and standards:  
ASME A112.18.1/CSAB 125.1-2011



BOTTOM VIEW SHOWING VALVE INLET & OUTLETS



STANDARD WALL SPOUT  
P/N 18.07.017



LIFT & TURN  
DRAIN ASSEMBLY

Note: Measurements are subject to change or cancellation. No responsibility is assumed for use of superseded or voided pages.