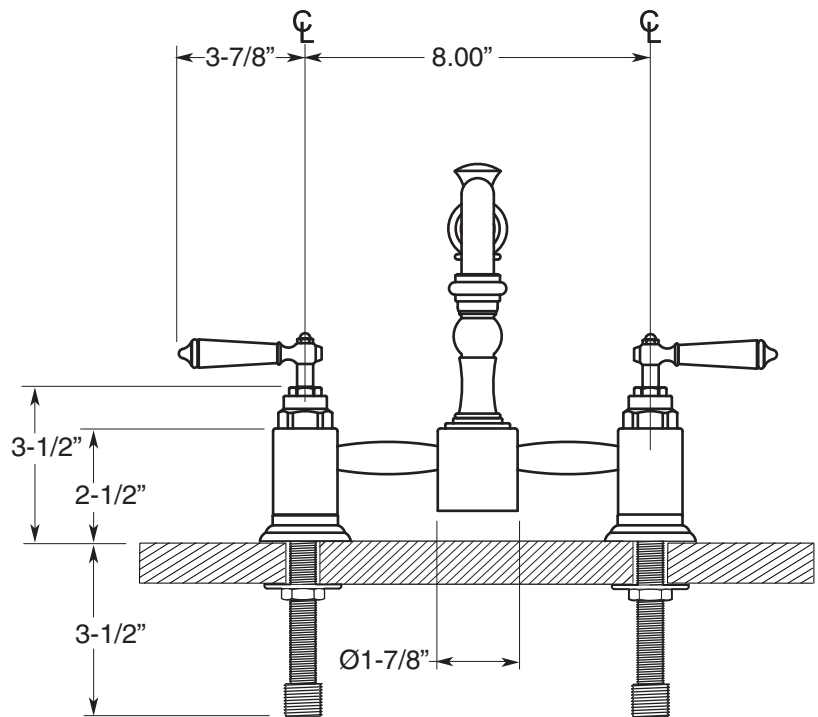
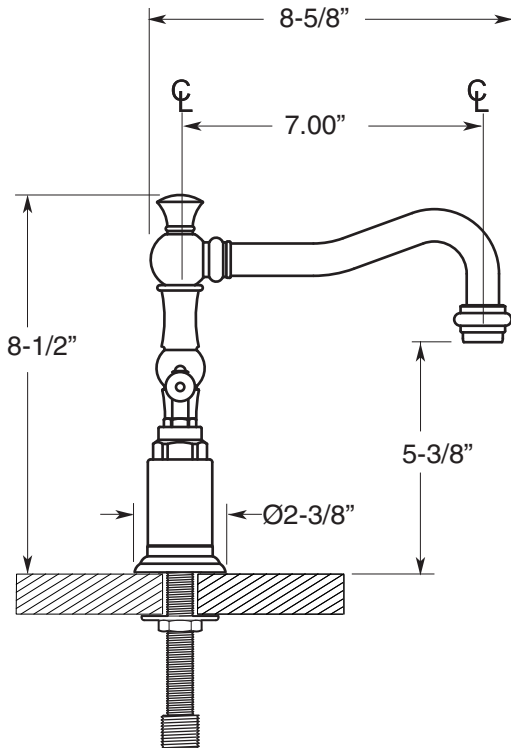


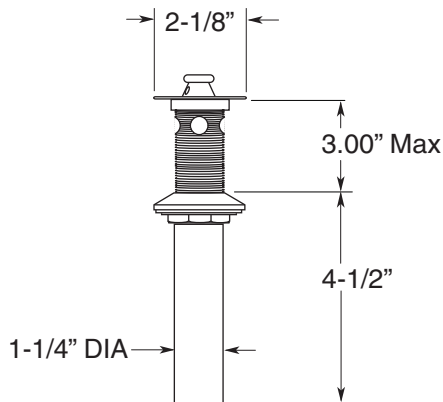
FEATURES:

- All brass construction.
- Flexible hose connections.
- Includes lift & turn drain with overflow P/N 18.11.042
- Replacement cartridge P/N: 18.30.029-cold / 18.30.030-hot
- Available in all finishes. Warranty varies according to finish selection.
- Standard aerator is limited to 1.5 gpm.
- Certified to meet or exceed the following codes and standards:
ASME A112.18.1/CSAB 125.1-2011

Orleans
(Porcelain Lever)
Pillar Lavatory Set
(Swivel Spout)
1.3557034



Connections are for 1/2" IPS Flexible Supplies or 3/8" O.D. Bull-Nose Risers



Note: Measurements are subject to change or cancellation. No responsibility is assumed for use of superseded or voided pages.