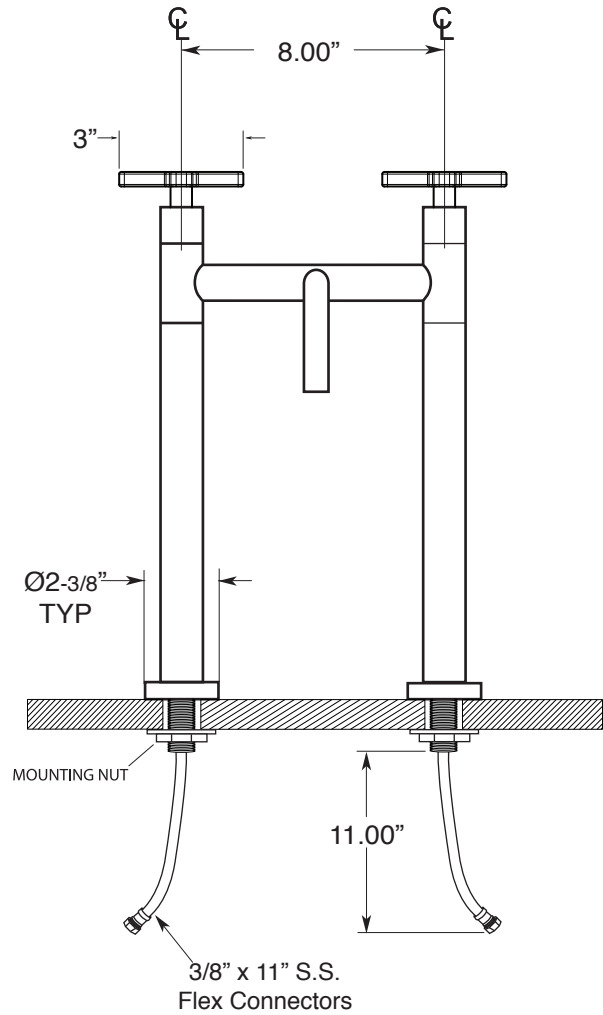
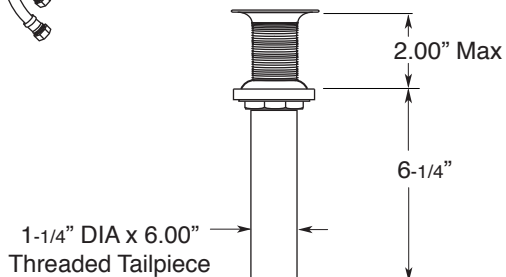
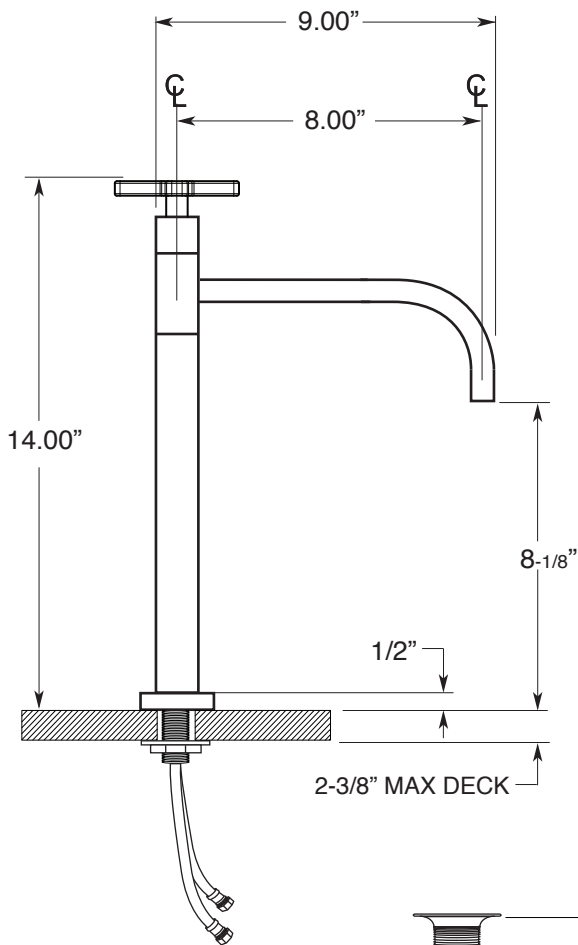


**FEATURES:**

- All brass construction.
- Flexible hose connections P/N 18.06.018
- Includes grid style drain without overflow P/N 18.11.120
- Concealed aerator requires special supplied blue removal key.
- Pre-assembled handle & escutcheon.
- Replacement cartridge P/N: 18.30.035-cold / 18.30.036-hot
- Available in all finishes. Warranty varies according to finish selection.
- Standard aerator is limited to 1.2 gpm.
- Certified to meet and exceed the following codes and standards:  
ASME A112.18.1-/CSA B125.1-2012.



NOTE: Install through  
1-1/4" diameter holes