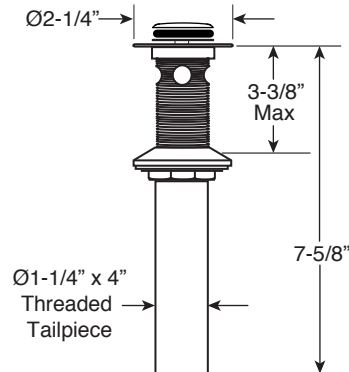
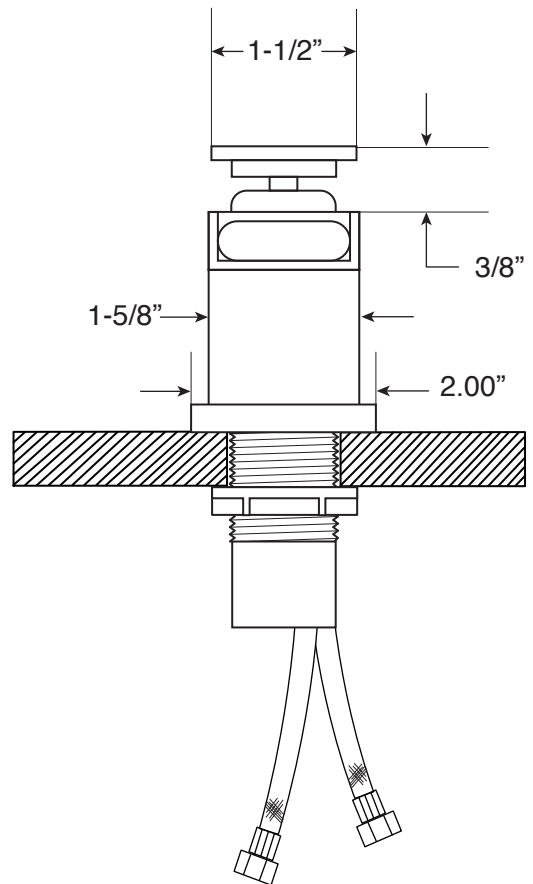
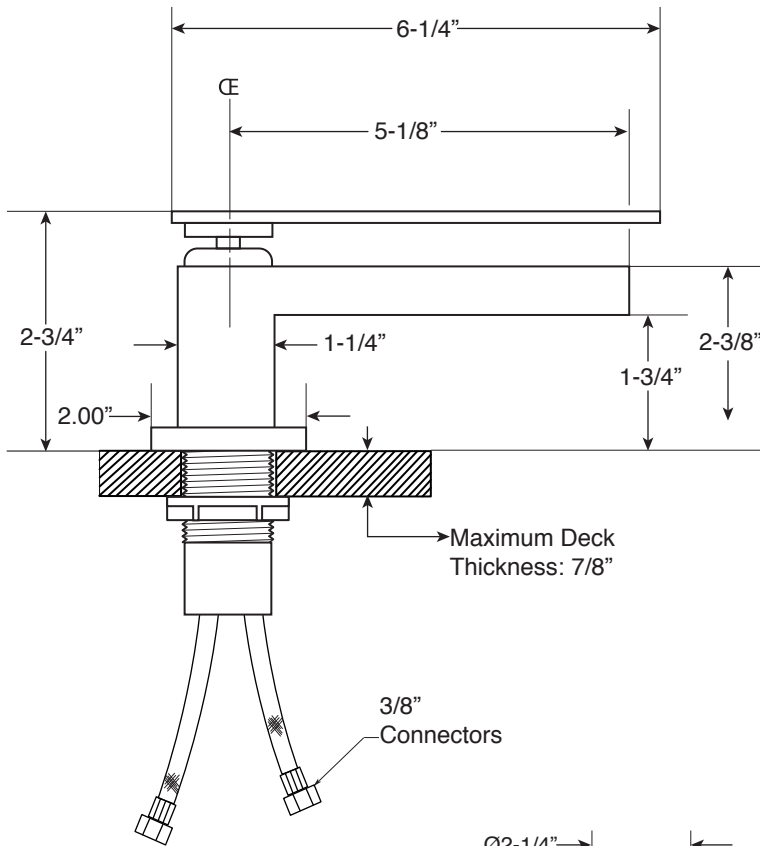


FEATURES:

- All brass construction.
- Includes soft touch drain with overflow: P/N 18.11.052
- Concealed aerator: requires special supplied key
- Replacement cartridge P/N 18.30.229
- Available in all finishes. Warranty varies according to finish selection.
- Standard aerator is limited to 1.2 gpm.
- Certified to meet or exceed the following codes and standards:
ASME A112.18.1/CSAB 125.1-2012

*Single-hole Short Lavatory
Faucet with Flat Lever*

1.33CL18



**Soft Touch
Drain Assembly
P/N: 18.11.052**

Note: Measurements are subject to change. No responsibility is assumed for use of superseded or voided pages.