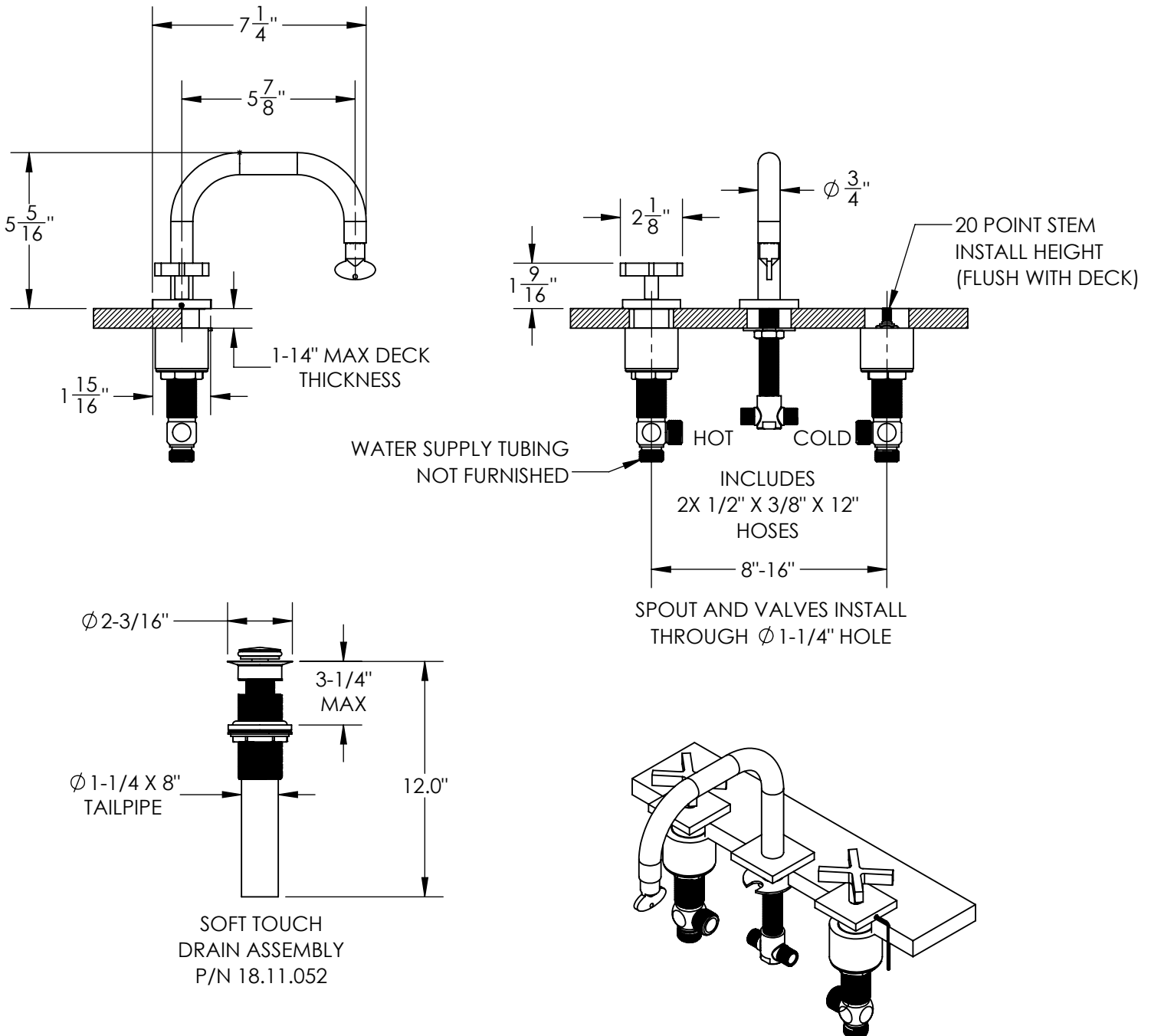
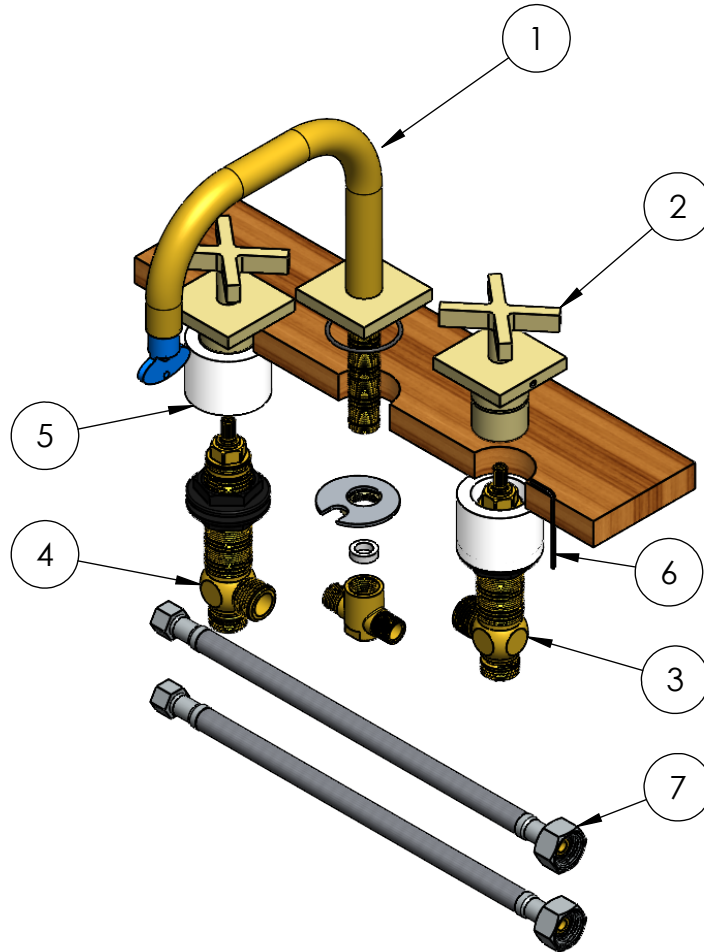


FEATURES:

- All brass construction
- Includes pop-up style drain assembly P/N 18.11.041
- 1/4-turn ceramic disc valve cartridge
- Standard aerator is limited to 1.2 GPM.
- Warranty varies according to finish selection
- Certified to meet or exceed the following codes and standards:
ASME A112.18.1/CSA B 125.1-2012



Note: Measurements are subject to change or cancellation. No responsibility is assumed for use of superseded or voided pages.



ITEM NO.	PART NO.	Rev.	DESCRIPTION	QTY.	Make/Buy	ICC
1	18.07.640	A	SHORT SQUARE LAV SPT WITH SQUARE BASE ASSEM FOR 4X4 SERIES	1	B	Yes
2	18.01.403	B	SQUARE CROSS HANDLE SQUARE BASE - CS	2	B	No
3	19.30.703ACA	-	1/2IN LAV VALVE COLD 20PT	1	B	Yes
4	19.30.704ACA	-	1/2IN LAV VALVE HOT 20PT	1	B	Yes
5	19.30.508	A	SPACER SLEEVE FOR LOW PROFILE BASE RINGS	2	B	No
6	19.01.005	-	ALLEN KEY, 5/64IN, S.A, H/K	1	B	No
7	19.07.215CA	-	1/2" X 3/8" X 12" HOSE SS	2	B	Yes

Note: Measurements are subject to change or cancellation. No responsibility is assumed for use of superseded or voided pages.