

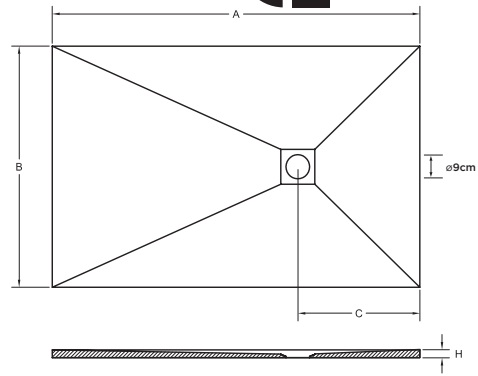
# Relief Plus

# QUARE

BATHROOM  
DESIGN &  
SOLUTIONS



45 kg/m<sup>2</sup>



**SLATE**  
A 700-2100 | B 700-1100  
Anti-slip  
Class C | PN 24 | Classe 2

		A (mm)														
		700	800	900	1000	1100	1200	1300	1400	1500	1600	1700	1800	1900	2000	2100
B (mm)	700	C	455	455	455	455	465	465	460	460	650	650	650	650	650	650
	H	25	25	25	25	25	25	30	30	30	30	30	30	30	30	30
800	C	455	455	455	455	465	465	460	460	650	650	650	650	650	650	
	H	25	25	25	25	25	25	30	30	30	30	30	30	30	30	
900	C	450	500	450	500	490	490	465	465	650	650	650	650	650	650	
	H	25	25	25	25	25	25	30	30	30	30	30	30	30	30	
1000	C	450	500	450	500	490	490	465	465	650	650	650	650	650	650	
	H	25	25	25	25	25	25	30	30	30	30	30	30	30	30	
1100	C	-	-	-	460	460	460	460	460	650	650	650	-	-	-	
	H	-	-	-	25	25	25	30	30	30	30	30	-	-	-	



**WOOD**  
A 700-2100 | B 700-1000  
Anti-slip  
Class B | PN 18 | Classe 2



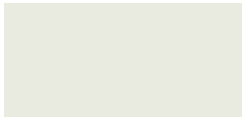
**GRANITE**  
A 700-2100 | B 700-1000  
Anti-slip  
Class C | PN 24 | Classe 3

		A (mm)														
		700	800	900	1000	1100	1200	1300	1400	1500	1600	1700	1800	1900	2000	2100
B (mm)	700	C	455	455	455	455	465	465	465	465	650	650	650	650	650	650
	H	25	25	25	25	25	25	30	30	30	30	30	30	30	30	30
800	C	455	455	455	455	465	465	460	460	650	650	650	650	650	650	
	H	25	25	25	25	25	25	30	30	30	30	30	30	30	30	
900	C	450	500	450	500	490	490	465	465	650	650	650	650	650	650	
	H	25	25	25	25	25	25	30	30	30	30	30	30	30	30	
1000	C	450	500	450	500	490	490	465	465	650	650	650	650	650	650	
	H	25	25	25	25	25	25	30	30	30	30	30	30	30	30	



**CROCODILE**  
A 700-2100 | B 700-900  
Anti-slip  
Class B | PN 18 | Classe 2

		A (mm)														
		700	800	900	1000	1100	1200	1300	1400	1500	1600	1700	1800	1900	2000	2100
B (mm)	700	C	455	455	455	455	455	465	465	465	650	650	650	650	650	650
	H	25	25	25	25	25	25	30	30	30	30	30	30	30	30	30
800	C	455	455	455	455	455	455	465	465	465	650	650	650	650	650	650
	H	25	25	25	25	25	25	30	30	30	30	30	30	30	30	30
900	C	455	455	455	455	455	455	465	465	465	650	650	650	650	650	650
	H	25	25	25	25	25	25	30	30	30	30	30	30	30	30	30



**SMOOTH**  
A 700-2100 | B 700-1000  
Anti-slip  
Class B | PN 18 | Classe 2

		A (mm)														
		700	800	900	1000	1100	1200	1300	1400	1500	1600	1700	1800	1900	2000	2100
B (mm)	700	C	455	455	455	455	455	465	465	465	650	650	650	650	650	650
	H	25	25	25	25	25	25	30	30	30	30	30	30	30	30	30
800	C	455	455	455	455	455	455	465	465	465	650	650	650	650	650	650
	H	25	25	25	25	25	25	30	30	30	30	30	30	30	30	30
900	C	455	455	455	455	455	455	465	465	465	650	650	650	650	650	650
	H	25	25	25	25	25	25	30	30	30	30	30	30	30	30	30
1000	C	455	455	455	455	455	455	465	465	465	650	650	650	650	650	650
	H	25	25	25	25	25	25	30	30	30	30	30	30	30	30	30

Technical characteristics may be modified without prior notice. Dimensional tolerances +/-5mm.

## Standard Colours



## Special Colours



## 213 Colours RAL



## Grid



## Border Rim



## Shower Waste

### EXTRA FLAT SHOWER WASTE



### VERTICAL SHOWER WASTE



### HIGH FLOW SHOWER WASTE



Guarantee 5 Years.



Quarex Material.  
Resin + mineral fillers.



Cut to size.  
It can be cut on site.



Installation: embedded (suitable for people with reduced mobility) or raised.  
Please consult the installation manual.



Product available in Solid White, our uncoated Natural White.



High Coating UV resistance.



SUPERIOR HARDNESS coating (<0.01 mm, according to UNE EN 14688; maximum allowed 0.1 mm).



Coating with excellent resistance to hydrolysis.



Packaging in reinforced cardboard with wooden structure.



Anti-bacterial treatment R-2 ISO 22196.