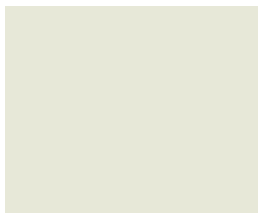
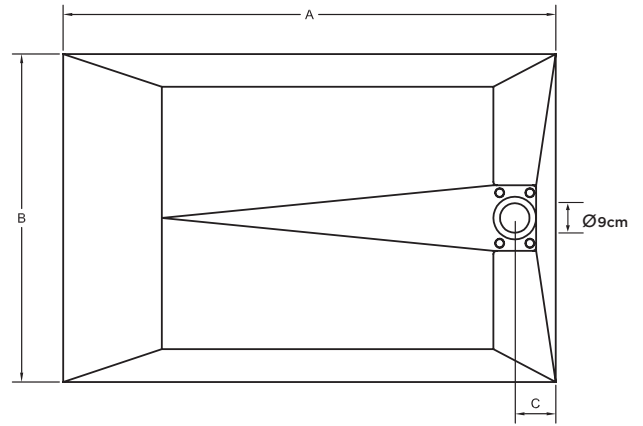
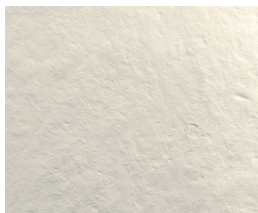




47 kg/m<sup>2</sup>



**SMOOTH**  
A 800-1800 | B 800-1000  
Anti-slip Class B



**SLATE**  
A 800-1800 | B 800-1000  
Anti-slip Class C

		A (mm)										
		900	1000	1100	1200	1300	1400	1500	1600	1700	1800	
B (mm)	800	C	125	125	125	125	125	125	125	125	125	125
	H	30	30	30	30	30	30	30	30	30	30	30
900	C	125	125	125	125	125	125	125	125	125	125	125
	H	30	30	30	30	30	30	30	30	30	30	30
1000	C	125	125	125	125	125	125	125	125	125	125	125
	H	30	30	30	30	30	30	30	30	30	30	30

		A (mm)										
		900	1000	1100	1200	1300	1400	1500	1600	1700	1800	
B (mm)	800	C	125	125	125	125	125	125	125	125	125	125
	H	25	25	25	25	27	27	27	30	30	30	30
900	C	125	125	125	125	125	125	125	125	125	125	125
	H	25	25	25	25	27	27	27	30	30	30	30
1000	C	125	125	125	125	125	125	125	125	125	125	125
	H	25	25	25	25	27	27	27	30	30	30	30

Technical characteristics may be modified without prior notice. Dimensional tolerances +/-5mm.

### Standard Colours



\* Natural White only available in Slate Texture.

### Grid



GRID IN THE SAME COLOUR AND TEXTURE AS TRAY

### Border Rim



Always smooth edged.  
40mm wide and 10mm thick.

### Special Colours



### 213 Colours RAL



### Shower Waste

#### EXTRA FLAT SHOWER WASTE



#### VERTICAL SHOWER WASTE



#### HIGH FLOW SHOWER WASTE



Guarantee 5 Years.



Quarex Material.  
Resin + mineral fillers.



Cut to size.  
It can be cut on site.



Installation: embedded (suitable for people with reduced mobility) or raised.  
Please consult the installation manual.



Product available in Solid White, our uncoated Natural White.



High Coating UV resistance.



SUPERIOR HARDNESS coating (<0.01 mm, according to UNE EN 14688; maximum allowed 0.1 mm).



Coating with excellent resistance to hydrolysis.



Packaging in reinforced cardboard with wooden structure.



Anti-bacterial treatment R<2 ISO 22196.