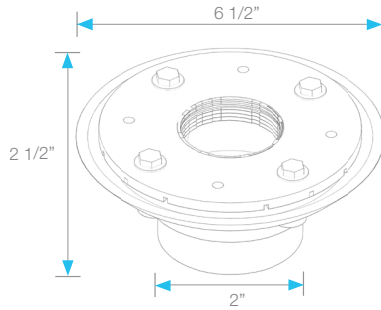


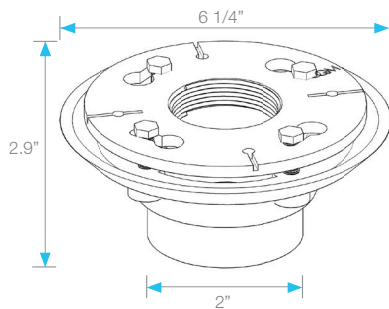
## INSTALLATION COMPONENTS



### Cast Iron Drain Flange

No hub SKU: 83.FLG.2.CI | FIP SKU: 83.FLG.2.CI.IP

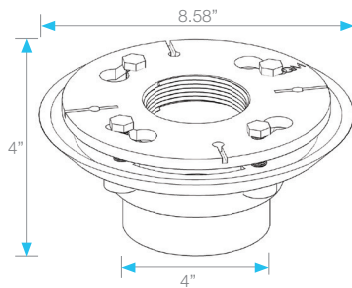
- Clamp down floor drain.
- 2" throat, 2" no hub outlet.
- 6 1/2" overall diameter.
- Waterproofing: PVC/Vinyl liner, Lead/copper pan, Hot mop, Rubber liner, Fiberglass.



### PVC/ABS Drain Flange

PVC SKU: 83.FLG.2.PVC | ABS SKU: 83.FLG.2.ABS

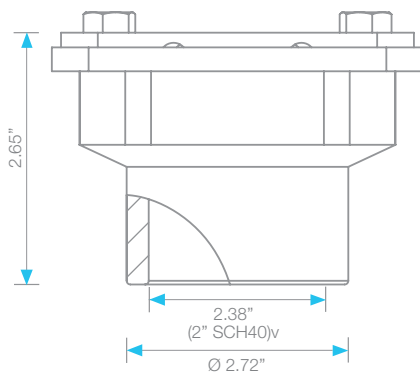
- Clamp down floor drain.
- 2" throat, 2" outlet.
- 6 1/4" overall diameter.
- Waterproofing: PVC/Vinyl liner, Lead/copper pan, Rubber liner, Fiberglass.



### 3" High Flow PVC Drain Base with Clamping Ring

SKU: 83.FLG.3.PVC

- Clamp down floor drain.
- 3.5" throat, 4" outlet.
- 8.58" overall diameter.
- Waterproofing: PVC/Vinyl liner, Lead/copper pan, Rubber liner, Fiberglass.

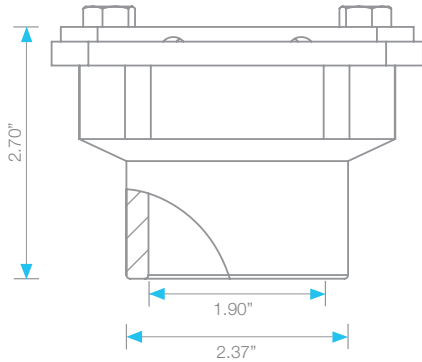


### PVC/ABS Square Drain Flange

SKU 83.SQFLG.2.PVC | 83.SQFLG.2.ABS

- 4" x 3-1/2" x 2-3/4" Overall Dimensions
- Fits Shower Drains with 2 - 1 1/2 NPSM Thread
- Cast Iron Sub-Drain & Clamping Ring
- 2" No Hub Outlet Connection
- Has Weep Holes

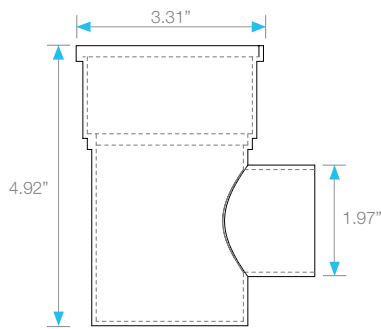
## INSTALLATION COMPONENTS



### Cast Iron Square Drain Flange

SKU 83.SQFLG.2.CI

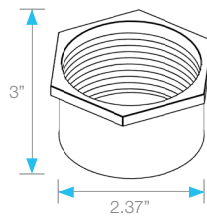
- 4" x 3-1/2" x 2-3/4" Overall Dimensions
- Fits Shower Drains with 2 - 1 1/2 NPSM Thread
- Cast Iron Sub-Drain & Clamping Ring
- 2" No Hub Outlet Connection
- Has Weep Holes



### QM Side Outlet Drain Flange with Integrated Threaded Adaptor

SKU: 83.FLG.SO.2

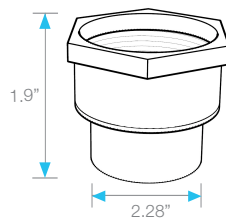
- 3.31" throat, 2" outlet.
- Waterproofing: PVC/Vinyl liner, Lead/copper pan, Rubber liner, Fiberglass.



### Adaptor Bonded Flange

SKU: 83.ADAPT.2BF

- To be used with Schluter® integrated bounding flange.
- Follow Schluter®-Shower System Installation Instructions.
- Height adjustable.



### Adaptor Reducer

SKU: 83.ADPT.2R

- Allows easy connection between a QM threaded drain outlet to the waste pipe.
- 3.15" x 2" Overall Dimensions
- No Hub Outlet Connection
- Made in ABS plastic