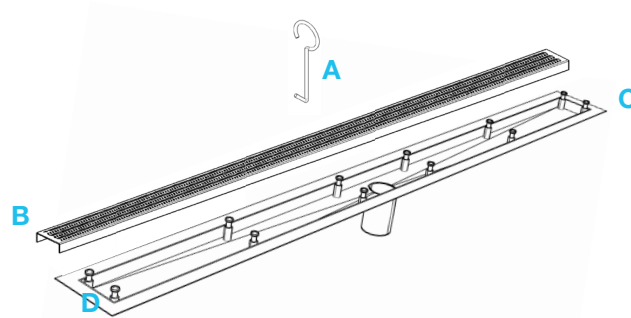
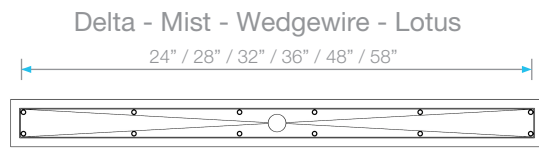
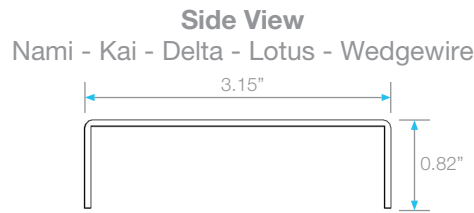
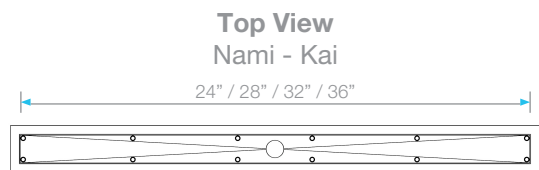
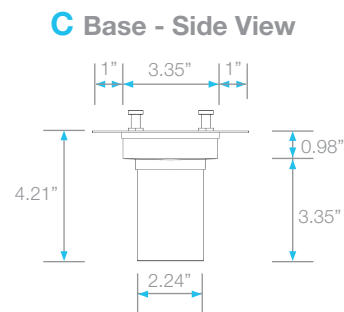
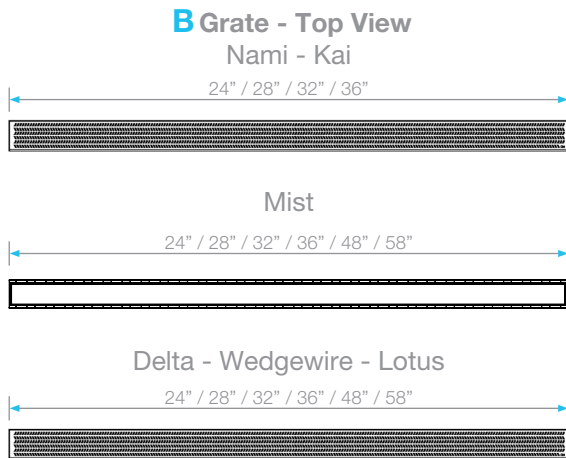


DELMAR LINEAR DRAIN STANDARD LENGTH WITH FLANGE EDGE

- Kit Includes:**
A Lifting Key
B Grate
C Flange Edge Base
D Leveling Legs



Specifications



*Note: Tile-in grate accepts flooring material up to 1" thickness

Features

- Stainless Steel 316 Gauges:
 Wedgewire grate: 8 gauges = 5mm for edge bars and 9 gauges = 4mm for inside bars.
 All other grates: 16 gauge = 1.5 mm.
 Base: 18 gauge = 1.2 mm
- Grate can be removed completely for cleaning.
- Flange Edge Base is intended for use with modern waterproofing method

Complete Kit

	Length	Satin SKU	Polished SKU	Black SKU
 Wedgewire	24"	33.700.24F ST	33.700.24F PS	33.700.24F BK
	28"	33.700.28F ST	33.700.28F PS	33.700.28F BK
	32"	33.700.32F ST	33.700.32F PS	33.700.32F BK
	36"	33.700.36F ST	33.700.36F PS	33.700.36F BK
	48"	33.700.48F ST	33.700.48F PS	33.700.48F BK
	58"	33.700.58F ST	33.700.58F PS	33.700.58F BK
 Kai	24"	33.200.24 F		
	28"	33.200.28 F		
	32"	33.200.32 F		
	36"	33.200.36 F		
 Mist (Tile-in)	24"	33.500.24F ST		
	28"	33.500.28F ST		
	32"	33.500.32F ST		
	36"	33.500.36F ST		
	48"	33.500.48F ST		
	58"	33.500.58F ST		
 Delta	24"	33.300.24F ST	33.300.24F PS	
	28"	33.300.28F ST	33.300.28F PS	
	32"	33.300.32F ST	33.300.32F PS	
	36"	33.300.36F ST	33.300.36F PS	
	48"	33.300.48F ST	33.300.48F PS	
	58"	33.300.58F ST	33.300.58F PS	
 Nami	24"			33.100.24F ST
	28"			33.100.28F ST
	32"			33.100.32F ST
	36"			33.100.36F ST
 Lotus	24"	33.400.24F BZ	33.400.24F BK	33.400.24F GD
	28"	33.400.28F BZ	33.400.28F BK	33.400.28F GD
	32"	33.400.32F BZ	33.400.32F BK	33.400.32F GD
	36"	33.400.36F BZ	33.400.36F BK	33.400.36F GD
	48"	33.400.48F BZ	33.400.48F BK	33.400.48F GD
	58"	33.400.58F BZ	33.400.58F BK	33.400.58F GD

Note: Installer must verify all rough-in dimensions prior to installation and consult local and national codes. Conformity and compliance to local and national codes are the responsibility of the installer. Dimensions are subject to Manufacturers tolerance and change without notice. We can assume no responsibility for use of superseded or voided data.