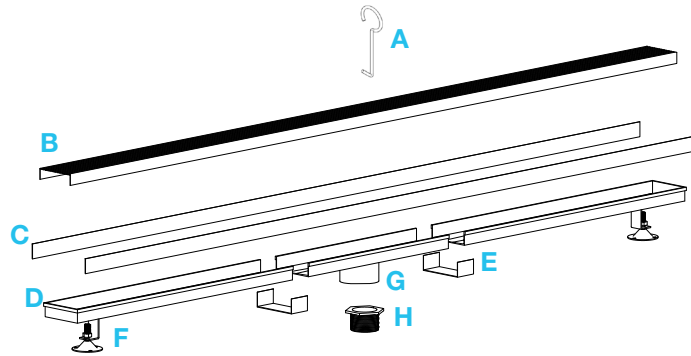


DELMAR LINEAR DRAIN ADJUSTABLE 3" HIGH FLOW OUTLET

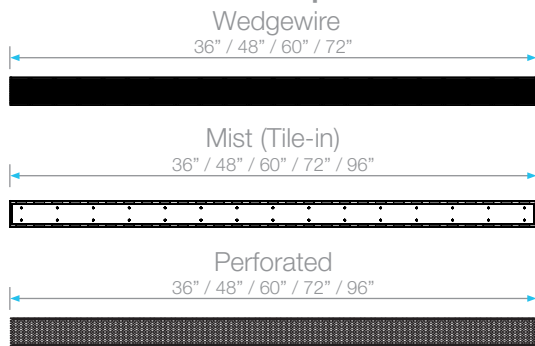
Kit Includes:

- A** Lifting Key
- B** Grate
- C** Trims
- D** Base
- E** Joiners
- F** Leveling Legs
- G** 3" High Flow Outlet
- H** Threaded Nipple
 - + Stainless Steel Cutting Blade
 - + Sealant

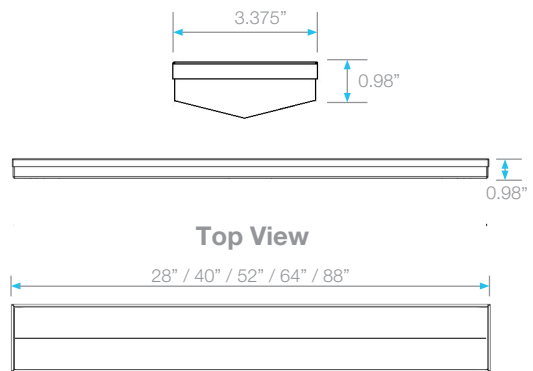


Specifications

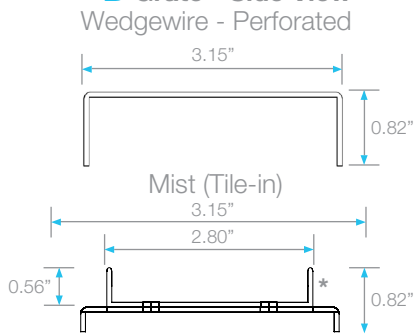
B Grate - Top View



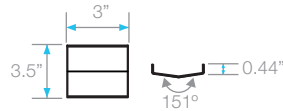
D Base - Side View



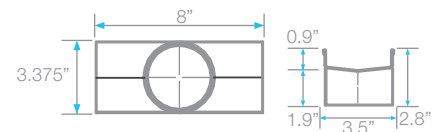
B Grate - Side View



E Joiner - Side & Top View

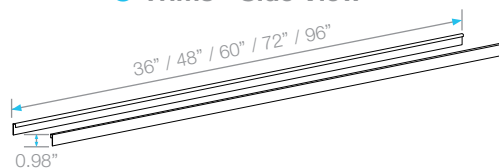


G 3" Outlet - Side & Top View

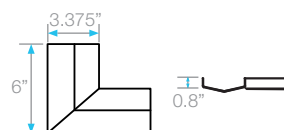


*Note: Tile-in grate accepts flooring material up to 1/2" tickness

C Trims - Side View



Corner - Side & Top View



Features

- Stainless Steel 316 Gauges:
Wedgewire grate: 8 gauges = 5mm for edge bars and 9 gauges= 4mm for inside bars.
Perforated & Mist grate: 16 gauge = 1.5 mm.
- Base: 18 gauge = 1.2 mm.
- Grate can be removed completely for cleaning.
- Adjustable is intended for use with traditional waterproofing methods.

Adjustable Complete Kit

	Length	Satin SKU	Polished SKU	Black SKU
Wedgewire 	36"	33.610.36HF ST	33.610.36HF PS	33.610.36HF BK
	48"	33.610.48HF ST	33.610.48HF PS	33.610.48HF BK
	60"	33.610.60HF ST	33.610.60HF PS	33.610.60HF BK
	72"	33.610.72HF ST	33.610.72HF PS	33.610.72HF BK
	96"	33.610.96HF ST	33.610.96HF PS	33.610.96HF BK
Perforated 	36"	33.620.36HF ST	33.620.36HF PS	
	48"	33.620.48HF ST	33.620.48HF PS	
	60"	33.620.60HF ST	33.620.60HF PS	
	72"	33.620.72HF ST	33.620.72HF PS	
	96"	33.620.96HF ST	33.620.96HF PS	
Mist (Tile-in) 	36"	33.630.36HF ST	33.630.36HF PS	
	48"	33.630.48HF ST	33.630.48HF PS	
	60"	33.630.60HF ST	33.630.60HF PS	
	72"	33.630.72HF ST	33.630.72HF PS	
	96"	33.630.96HF ST	33.630.96HF PS	

Add to Kit (Specification Pages: XX-XX)



Drain Flange **SKU**
3"x 4" PVC High Flow 83.FLG.3.PVC

Note: 72" and "96" Kit includes two outlets, two hair strainers, two pair of joiners and two adapters. 72" Wedgewire Black Kit has two 36". 96" Wedgewire Kit has two 48" grates. Choose the kit with equal or greater size than the length wanted; for longer lengths drain connect kits to build the desired length. Installer must verify all rough-in dimensions prior to installation and consult local and national codes. Conformity and compliance to local and national codes are the responsibility of the installer. Dimensions are subject to Manufacturers tolerance and change without notice. We can assume no responsibility for use of superseded or voided data.