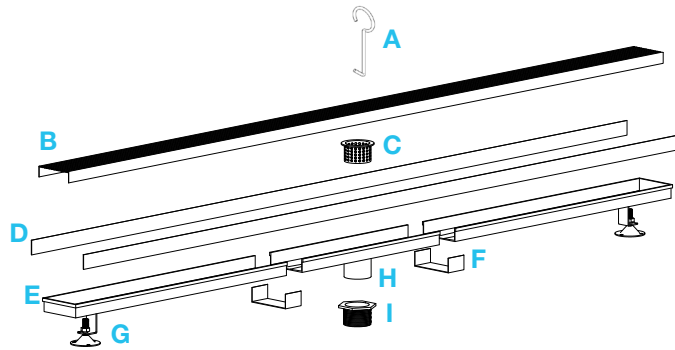


## DELMAR LINEAR DRAIN ADJUSTABLE 2" OUTLET

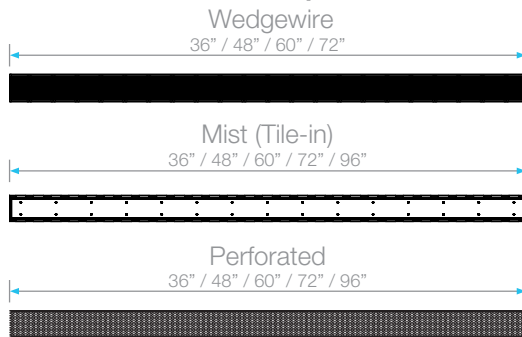
### Kit Includes:

- A** Lifting Key
- B** Grate
- C** Hair/Debris Strainer
- D** Trims
- E** Base
- F** Joiners
- G** Leveling Legs
- H** 2" Outlet
- I** Threaded Nipple / Adapter
  - + Stainless Steel Cutting Blade
  - + Sealant

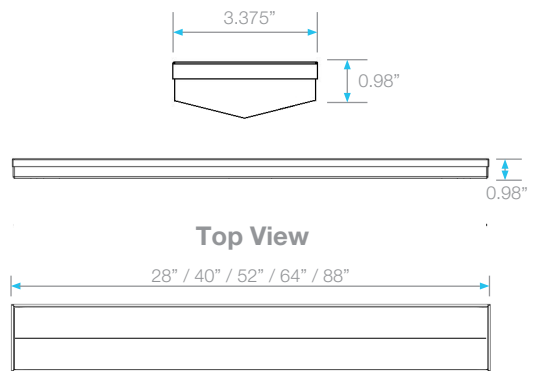


### Specifications

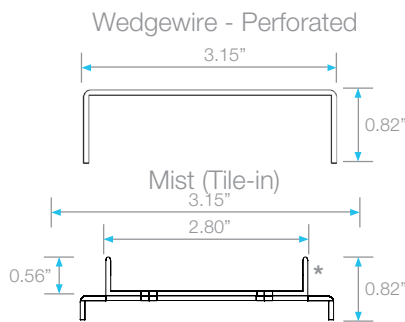
#### B Grate - Top View



#### E Base - Side View

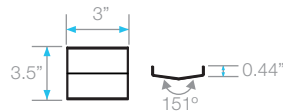


#### B Grate - Side View

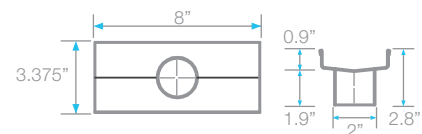


\*Note: Tile-In grate accepts flooring material up to 1/2" thickness

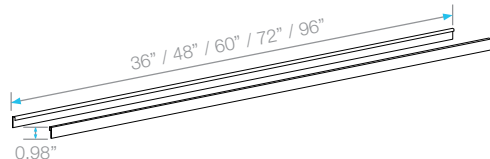
#### F Joiner - Side & Top View



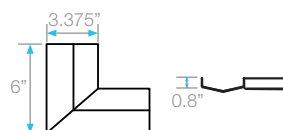
#### H 2" Outlet - Side & Top View



#### D Trims - Side View



#### Corner - Side & Top View





### Features

- Stainless Steel 316 Gauges:  
Wedge wire grate: 8 gauges = 5mm for edge bars and 9 gauges = 4mm for inside bars.  
Perforated & Mist grate: 16 gauge = 1.5 mm.
- Base: 18 gauge = 1.2 mm.
- Works with 2" ABS, PVC or Cast Iron shower drain flange (not included).
- Grate can be removed completely for cleaning.
- Hair Strainer Basket comes with every drain, fits inside the drain to collect hair and other debris, preventing pipe clogs.
- Adjustable is intended for use with traditional waterproofing methods.

### Adjustable Complete Kit

	Length	Satin SKU	Polished SKU	Black SKU
<b>Wedge wire</b> 	36"	33.610.36 ST	33.610.36 PS	33.610.36 BK
	48"	33.610.48 ST	33.610.48 PS	33.610.48 BK
	60"	33.610.60 ST	33.610.60 PS	33.610.60 BK
	72"	33.610.72 ST	33.610.72 PS	33.610.72 BK
	96"	33.610.96 ST	33.610.96 PS	33.610.96 BK
<b>Perforated</b> 	36"	33.620.36 ST	33.620.36 PS	
	48"	33.620.48 ST	33.620.48 PS	
	60"	33.620.60 ST	33.620.60 PS	
	72"	33.620.72 ST	33.620.72 PS	
	96"	33.620.96 ST	33.620.96 PS	
<b>Mist (Tile-in)</b> 	36"	33.630.36 ST	33.630.36 PS	
	48"	33.630.48 ST	33.630.48 PS	
	60"	33.630.60 ST	33.630.60 PS	
	72"	33.630.72 ST	33.630.72 PS	
	96"	33.630.96 ST	33.630.96 PS	

### Add to Kit (Specification Pages: XX-XX)

Drain Flange	SKU	Square Drain Flange	SKU
 2" PVC	83.FLG.2.PVC	 2" PVC	83.SQFLG.2.PVC
2" ABS	83.FLG.2.ABS	2" ABS	83.SQFLG.2.ABS
2" Cast Iron No hub	83.FLG.2.CI	2" Cast Iron No hub	83.SQFLG.2.CI
2" Cast Iron FIP	83.FLG.2.CI.IP	2" Cast Iron FIP	83.SQFLG.2.CI.IP

**Note:** 72" and "96" Kit includes two outlets, two hair strainers, two pair of joiners and two adapters. 72" Wedgewire Black Kit has two 36". 96" Wedgewire Kit has two 48" grates. Choose the kit with equal or greater size than the length wanted; for longer lengths drain connect kits to build the desired length. Installer must verify all rough-in dimensions prior to installation and consult local and national codes. Conformity and compliance to local and national codes are the responsibility of the installer. Dimensions are subject to Manufacturers tolerance and change without notice. We can assume no responsibility for use of superseded or voided data.