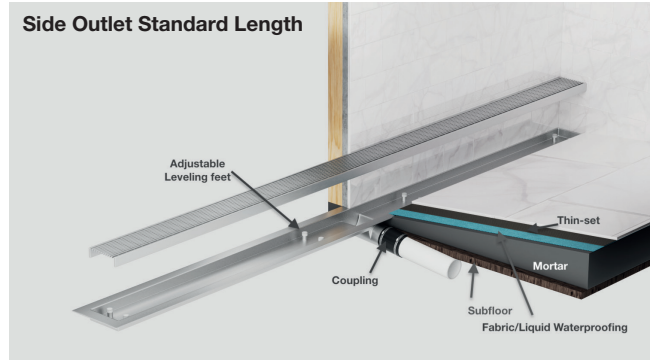
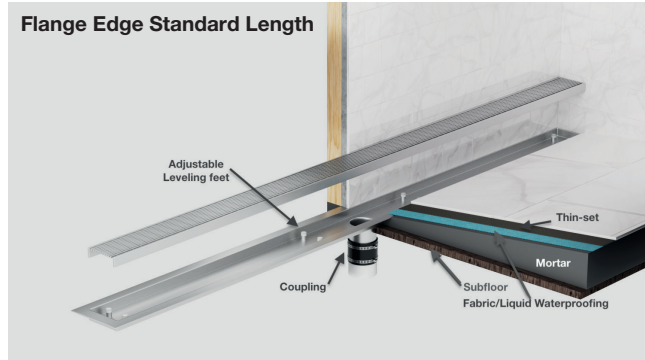


Delmar Series Linear Drain. Flange Edge and Side Outlet Flange Edge Standard Length



WATERPROOFING METHODS:

Modern Waterproofing methods: Liquid and Fabric Waterproofing.

ACCESS TO PLUMBING FROM BELOW:

If there is access to the plumbing from below, the waste line can be connected after installing the QM Drain; the drain can be installed in conjunction with the mortar bed.

STEP 1. Determine where the drain will be positioned, frame out shower surround as required.

STEP 2. Spread a preliminary mortar bed across the intended drain location. Set drain into mortar bed. Connect the outlet section to the existing waste pipe via 2" no hub coupling. Allow stainless steel channel to sit onto subfloor. Make sure the channel is completely level.

NO ACCESS TO PLUMBING FROM BELOW:

When there is limited or no access to the plumbing from below: Measure the distance from the top of the existing waste line to the top of the subfloor. Determine the distance from the bottom of the outlet section to the top of the existing waste pipe. Cut a 2" PVC or ABS pipe to a length 1/8" less than this dimension. Bond the 2" PVC/ABS pipe to a 2" Rubber Coupling using PVC/ABS primer and cement. Connect the other end of the 2" PVC/ABS pipe to the outlet section via a 2" no hub rubber coupling. Bond the free end of the 2" pipe and coupling assembly to the existing waste pipe using PVC/ABS primer and cement.

STEP 3. Pour a mortar bed across shower area, pitch at a 1/4" per foot slope in direction towards the shower base. Pitch begins level to the edge of the stainless-steel channel.

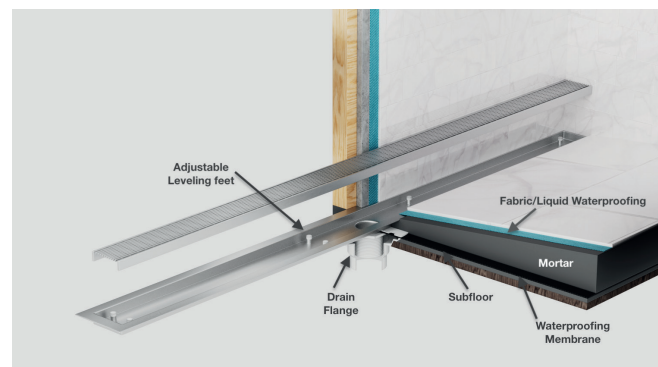
STEP 4. Install waterproofing when mortar is dry, liquid membrane or sheet membrane as per manufacturer's instructions. Paint or bond waterproofing directly to the base flange edge.

STEP 6. Once waterproofing is dry, apply thin-set and install tile and grout. Note: Tile can't cover the channel.

STEP 7. Install the grate into the shower linear base. Use adjustable level feet located inside the channel to raise or lower the grate to finish flush with the floor height.

For Mist (Tile-in) grate, spread a layer of thin-set mortar to the underside of the tile and set on the top of the grate. Remove any excess of material.

For a Double waterproofing installation: refer to Linear Drain Standard Installation step 1 to 7 and then continue at step 3.



NOTE:

- Waterproof membrane should be installed and tested per manufacturer's instructions and local building and plumbing codes.
- QM® recommends this product to be installed by a licensed contractor.
- Failure to achieve adequate floor slope will result in standing water problems or slow water flow. Recommended slope for a shower floor is about 4 percent, or a 1/2" inch drop per every 12 inches from the shower walls to the drain.
- Lifting key assists with grate removal.
- Hair Strainer basket fits inside the drain to collect hair and other debris preventing pipes clogs. Empty basket as needed to maintain optimal performance. The use of the basket is optional.