



INVISIBLE
DRAIN

Specifications

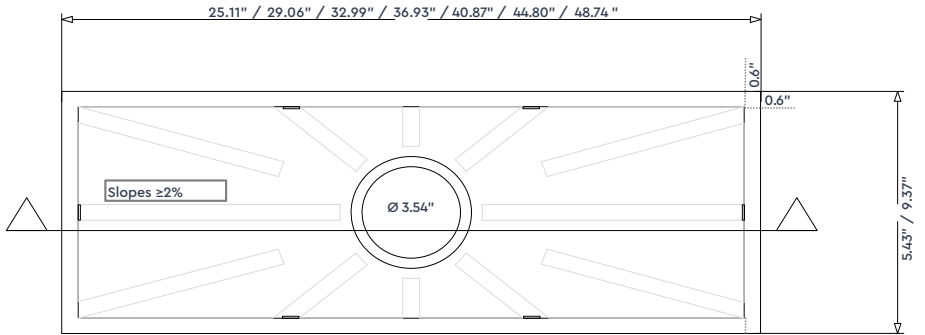
Height: 0.78"

Material: high performance polyurethane

Linear Sizes: W: 4" L: 24" | 28" | 32" | 36" | 40" | 44" | 48"

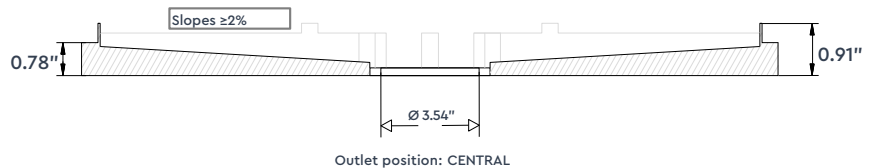
W: 8" L: 24" | 28" | 32" | 36" | 40" | 44" | 48"

Top view

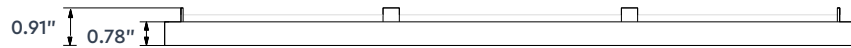


W:0.16" (stopper)

Slope Section View

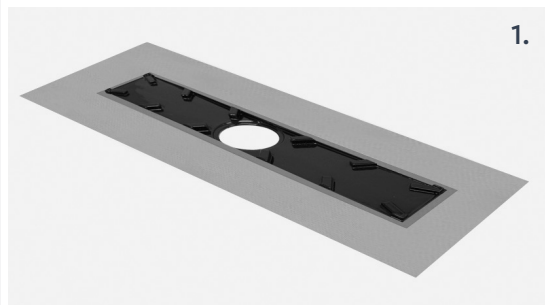


Side View



Kit Includes:

1. Invisible Linear drain base
2. Drain Body
3. QM Superdry waterproofing Membrane 1,5 x 2 m
4. Key for cleaning.



IMPORTANT: Installer must verify all rough-in dimensions prior to installation and consult local and national codes. Conformity and compliance to local and national codes are the responsibility of the installer. Dimensions are subject to Manufacturers tolerance and change without notice. We can assume no responsibility for use of superseded or void data.