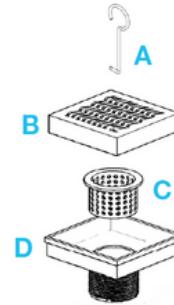




# Delmar Series Square Drain

## Center Drain | Traditional Waterproofing:

- Stainless Steel 316 Gauges:  
Wedge wire grate: 8 gauges for Edge Bars and 9 gauges for Inside Bars.
- Base: 18 gauges = 1.2 mm.
- Grate can be removed completely for cleaning.
- Center Drain is intended for use with traditional waterproofing methods.
- Works with 2" ABS, PVC or Cast Iron shower drain flange (not included).
- Hair strainer basket comes with every drain, fits inside the drain to collect hair and other debris, preventing clogged pipes.

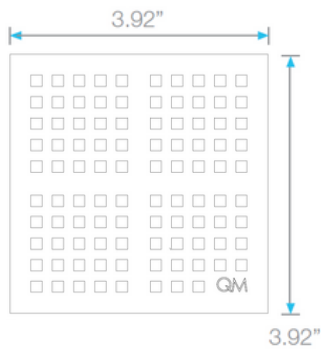


### Kit Includes:

- A** Lifting Key
- B** Grate
- C** Hair/Debris Strainer
- D** Base

## Specifications

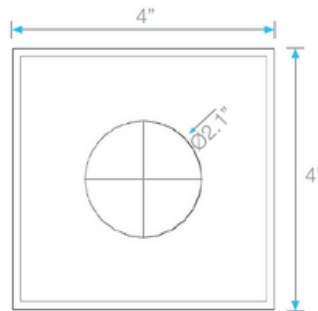
**B Grate - Top View 4" X 4"**



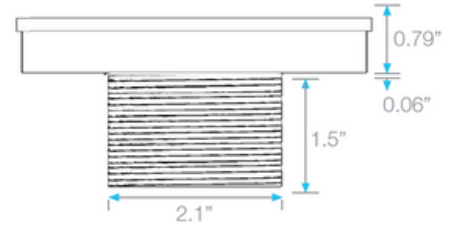
**B Grate - Side View**



**D Base - Top View**

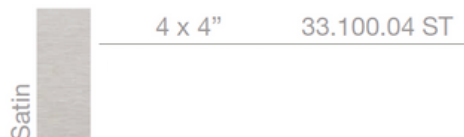


**D Base - Side View**



## Complete Kits

### NAMI

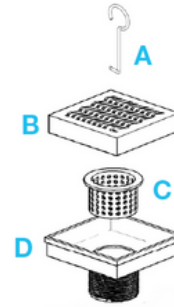




# Delmar Series Square Drain

## Center Drain | Traditional Waterproofing:

- Stainless Steel 316 Gauges:  
Grate: 16 gauges = 1.5 mm.
- Base: 18 gauges = 1.2 mm.
- Grate can be removed completely for cleaning.
- Center Drain is intended for use with traditional waterproofing methods.
- Works with 2" ABS, PVC or Cast Iron shower drain flange (not included).
- Hair strainer basket comes with every drain, fits inside the drain to collect hair and other debris, preventing clogged pipes.

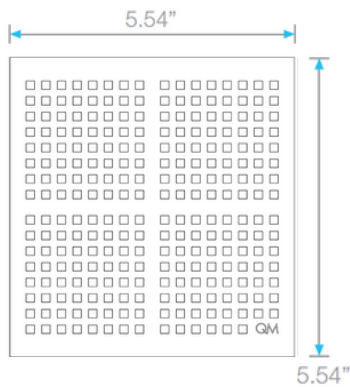


### Kit Includes:

- A** Lifting Key
- B** Grate
- C** Hair/Debris Strainer
- D** Base

## Specifications

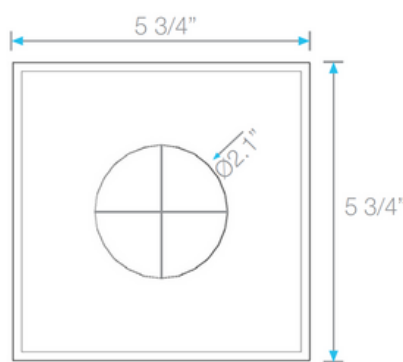
**B Grate - Top View 4" X 4"**



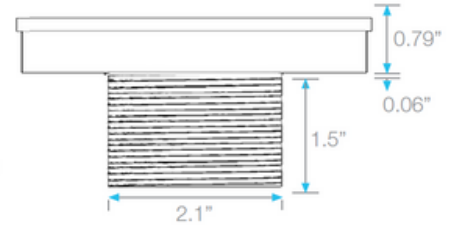
**B Grate - Side View**



**D Base - Top View**



**D Base - Side View**



## Complete Kits

### NAMI



5 3/4 x 5 3/4" 33.100.06 ST