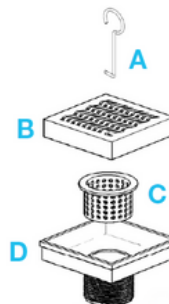




DelmarSeries Square Drain

Center Drain | Traditional Waterproofing:

- Stainless Steel 316 Gauges:
Grate: 16 gauges = 1.5 mm.
- Base: 18 gauges = 1.2 mm.
- Grate can be removed completely for cleaning.
- Center Drain is intended for use with traditional waterproofing methods.
- Works with 2" ABS, PVC or Cast Iron shower drain flange (not included).
- Hair strainer basket comes with every drain, fits inside the drain to collect hair and other debris, preventing clogged pipes.

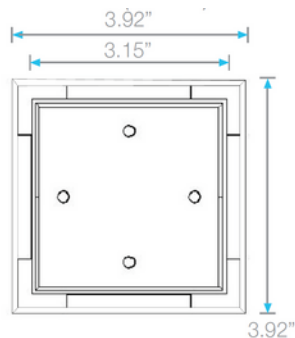


Kit Includes:

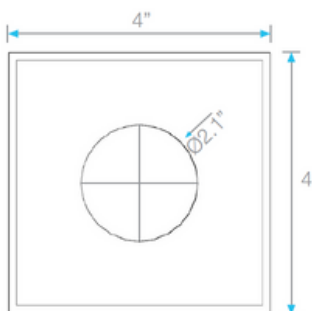
- A** Lifting Key
- B** Grate
- C** Hair/Debris Strainer
- D** Base

Specifications

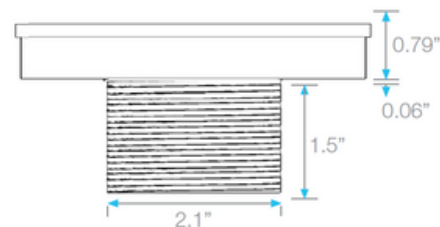
B Grate - Top View 4" X 4"



D Base - Top View



D Base - Side View



B Grate - Side View



*Note: Tile-in grate accepts flooring material up to 1/2" thickness

Complete Kits

MIST (TILE-IN)



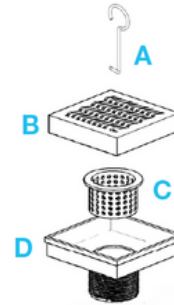
Gold	4 x 4"	33.500.04 GD	Satin	4 x 4"	33.500.04 ST
	Bronze	4 x 4"		33.500.04 BZ	Black



DelmarSeries Square Drain

Center Drain | Traditional Waterproofing:

- Stainless Steel 316 Gauges:
Grate: 16 gauges = 1.5 mm.
Base: 18 gauges = 1.2 mm.
- Grate can be removed completely for cleaning.
- Center Drain is intended for use with traditional waterproofing methods.
- Works with 2" ABS, PVC or Cast Iron shower drain flange (not included).
- Hair strainer basket comes with every drain, fits inside the drain to collect hair and other debris, preventing clogged pipes.

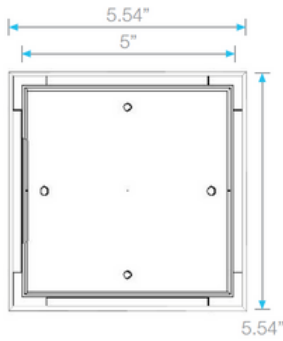


Kit Includes:

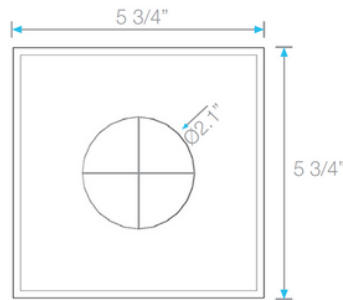
- A** Lifting Key
- B** Grate
- C** Hair/Debris Strainer
- D** Base

Specifications

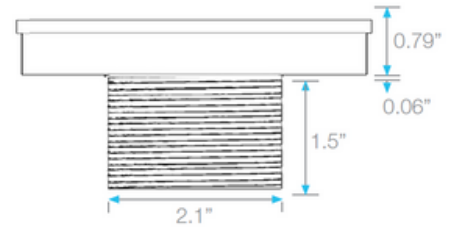
B Grate - Top View 4" X 4"



D Base - Top View



D Base - Side View



B Grate - Side View



Complete Kits

MIST (TILE-IN)



Gold	5 3/4 x 5 3/4"	33.500.06 GD	Satin	5 3/4 x 5 3/4"	33.500.06 ST
Bronze	5 3/4 x 5 3/4"	33.500.06 BZ	Black	5 3/4 x 5 3/4"	33.500.06 BK