



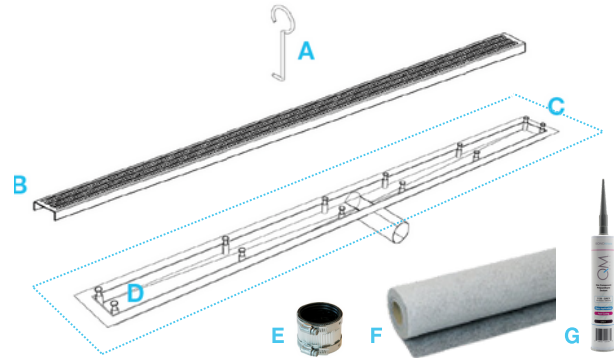
# DelmarSeries SIDE OUTLET FLANGE EDGE BASE

## Flange Edge Base | Modern Waterproofing:

- Stainless Steel: Grate = 8 gauges for Edge Bars and 9 gauges for Inside Bars. Base = 18 gauges
- Base Designed for modern waterproofing methods.
- Complete kit for seamless installation.
- Enhance protection with Superdry Waterproofing Membrane.
- Grate can be removed completely for cleaning.

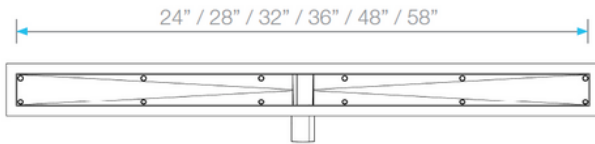
### Kit Includes:

- A Lifting Key
- B Grate
- C Flange Edge Base with a sealed waterproofing membrane collar
- D Leveling Legs
- E No-hub Coupling
- F 32 ft2 Superdry Waterproofing
- G Sealant

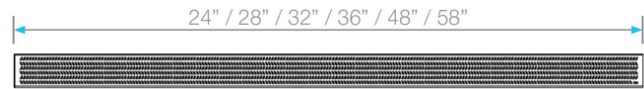


## Specifications

C Base - Top View



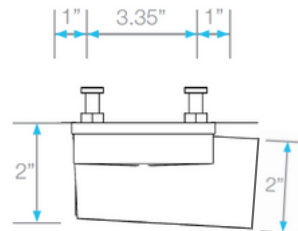
B Grate - Top View



Base - Side View



Base - Side View

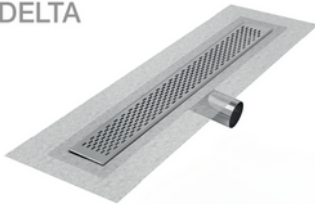


Grate - Side View



## Complete Kits

### DELTA



|       |     |                 |   |
|-------|-----|-----------------|---|
| Satin | 24" | 33.300.24FSO ST | ● |
|       | 28" | 33.300.28FSO ST | ● |
|       | 32" | 33.300.32FSO ST | ● |
|       | 36" | 33.300.36FSO ST | ● |
|       | 48" | 33.300.48FSO ST | ● |
|       | 58" | 33.300.58FSO ST | ● |

|       |     |                 |   |
|-------|-----|-----------------|---|
| Black | 24" | 33.300.24FSO BK | ● |
|       | 28" | 33.300.28FSO BK | ● |
|       | 32" | 33.300.32FSO BK | ● |
|       | 36" | 33.300.36FSO BK | ● |
|       | 48" | 33.300.48FSO BK | ● |
|       | 58" | 33.300.58FSO BK | ● |

|        |     |                 |   |
|--------|-----|-----------------|---|
| Bronze | 24" | 33.300.24FSO BZ | ● |
|        | 28" | 33.300.28FSO BZ | ● |
|        | 32" | 33.300.32FSO BZ | ● |
|        | 36" | 33.300.36FSO BZ | ● |
|        | 48" | 33.300.48FSO BZ | ● |
|        | 58" | 33.300.58FSO BZ | ● |

|          |     |                 |   |
|----------|-----|-----------------|---|
| Polished | 24" | 33.300.24FSO PS | ● |
|          | 28" | 33.300.28FSO PS | ● |
|          | 32" | 33.300.32FSO PS | ● |
|          | 36" | 33.300.36FSO PS | ● |
|          | 48" | 33.300.48FSO PS | ● |
|          | 58" | 33.300.58FSO PS | ● |

|      |     |                 |   |
|------|-----|-----------------|---|
| Gold | 24" | 33.300.24FSO GD | ● |
|      | 28" | 33.300.28FSO GD | ● |
|      | 32" | 33.300.32FSO GD | ● |
|      | 36" | 33.300.36FSO GD | ● |
|      | 48" | 33.300.48FSO GD | ● |
|      | 58" | 33.300.58FSO GD | ● |

Note: Installer must verify all rough-in dimensions prior to installation and consult local and national codes. Conformity and compliance to local and national codes are the responsibility of the installer. Dimensions are subject to manufacturers tolerance and change without notice. We can assume no responsibility for use of superseded or voided data. [Contact us if you have any question at: techsupport@qm-us.com](mailto:techsupport@qm-us.com)