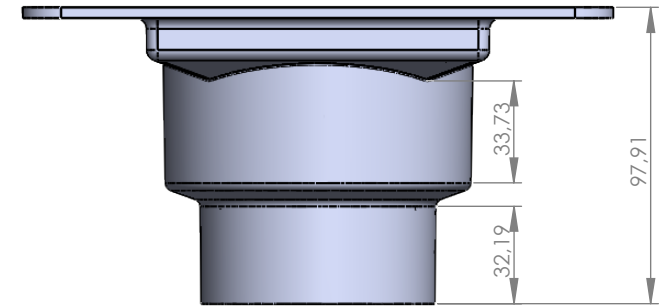
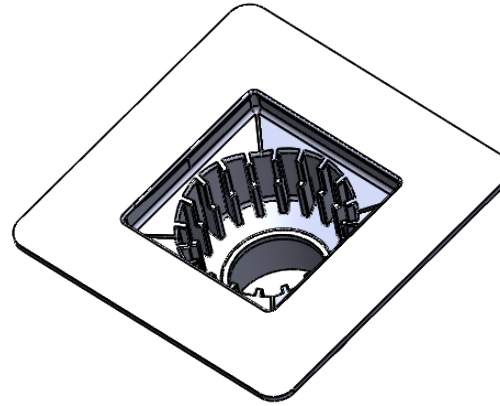
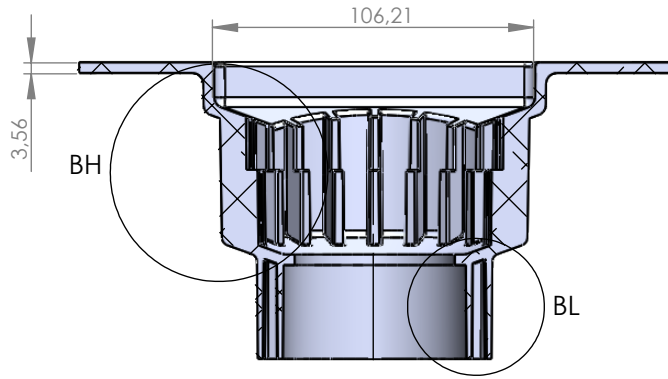
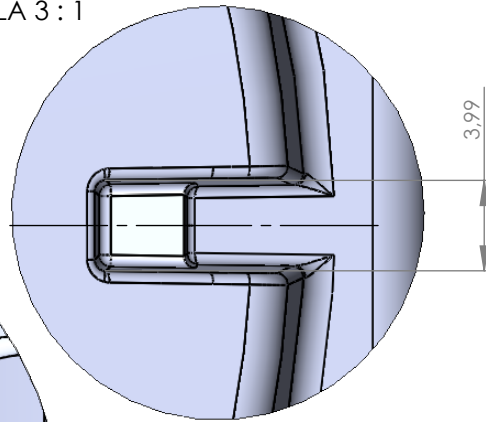


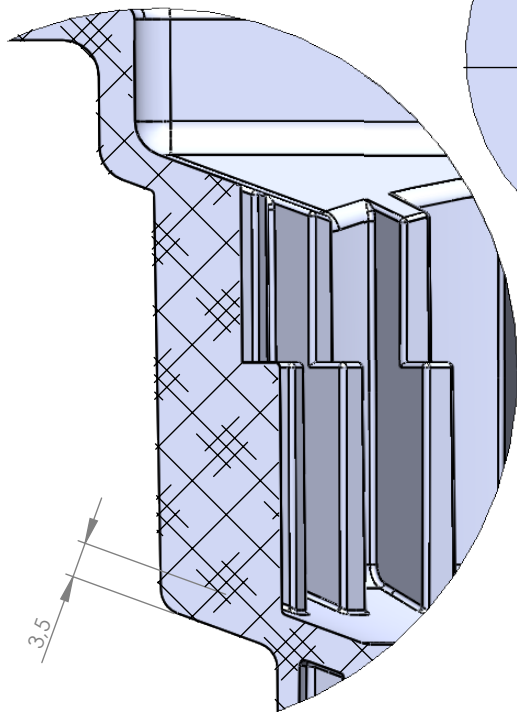
SECCIÓN BG-BG
ESCALA 1 : 2.5



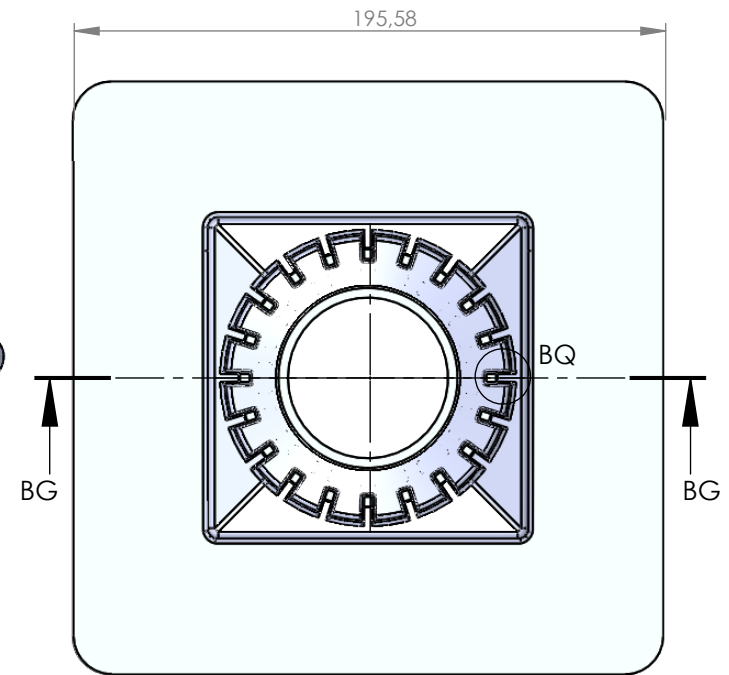
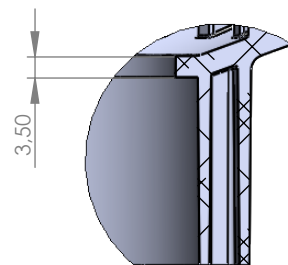
DETALLE BQ
ESCALA 3 : 1



DETALLE BH
ESCALA 2 : 1.5



DETALLE BL
ESCALA 2 : 2.5



Description:

Bonded Flange 4x4

Line:

Drain

Drew by:

Eng. Héctor Berbesi

Designed by:

Eng. Héctor Berbesi

Fecha

22/04/2023

Fecha

22/04/2023

Enterprise:



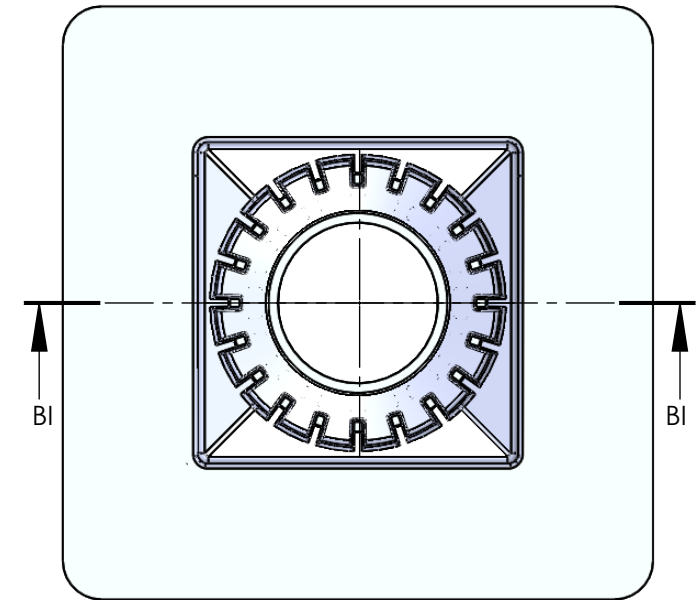
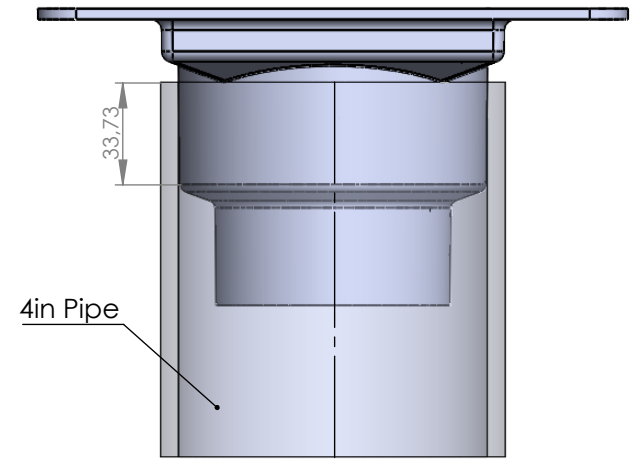
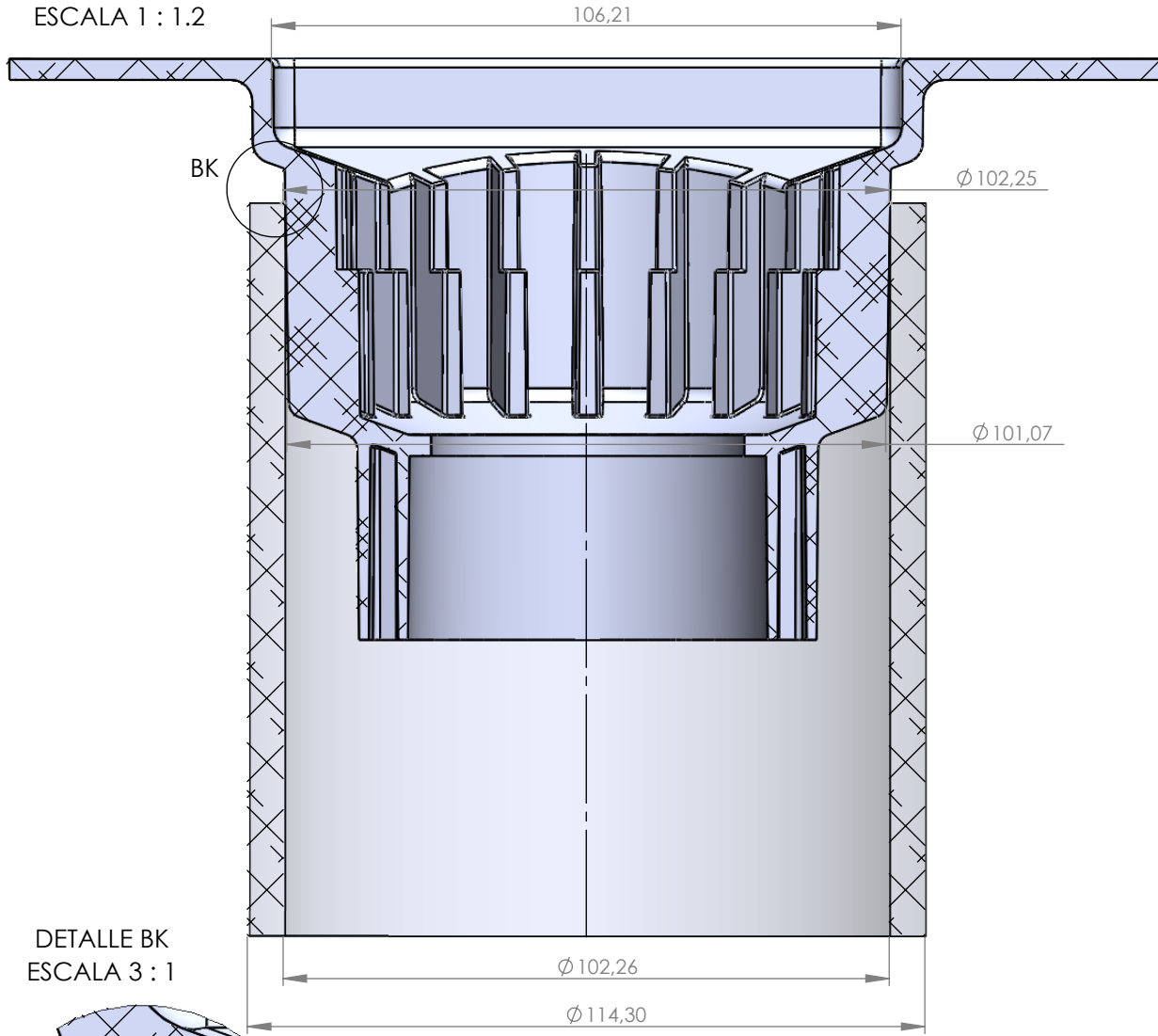
fabrication process:
Plastic Injection

Scale:

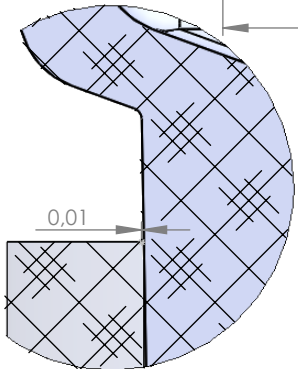
Material:


N/I

SECCIÓN BI-BI
ESCALA 1 : 1.2

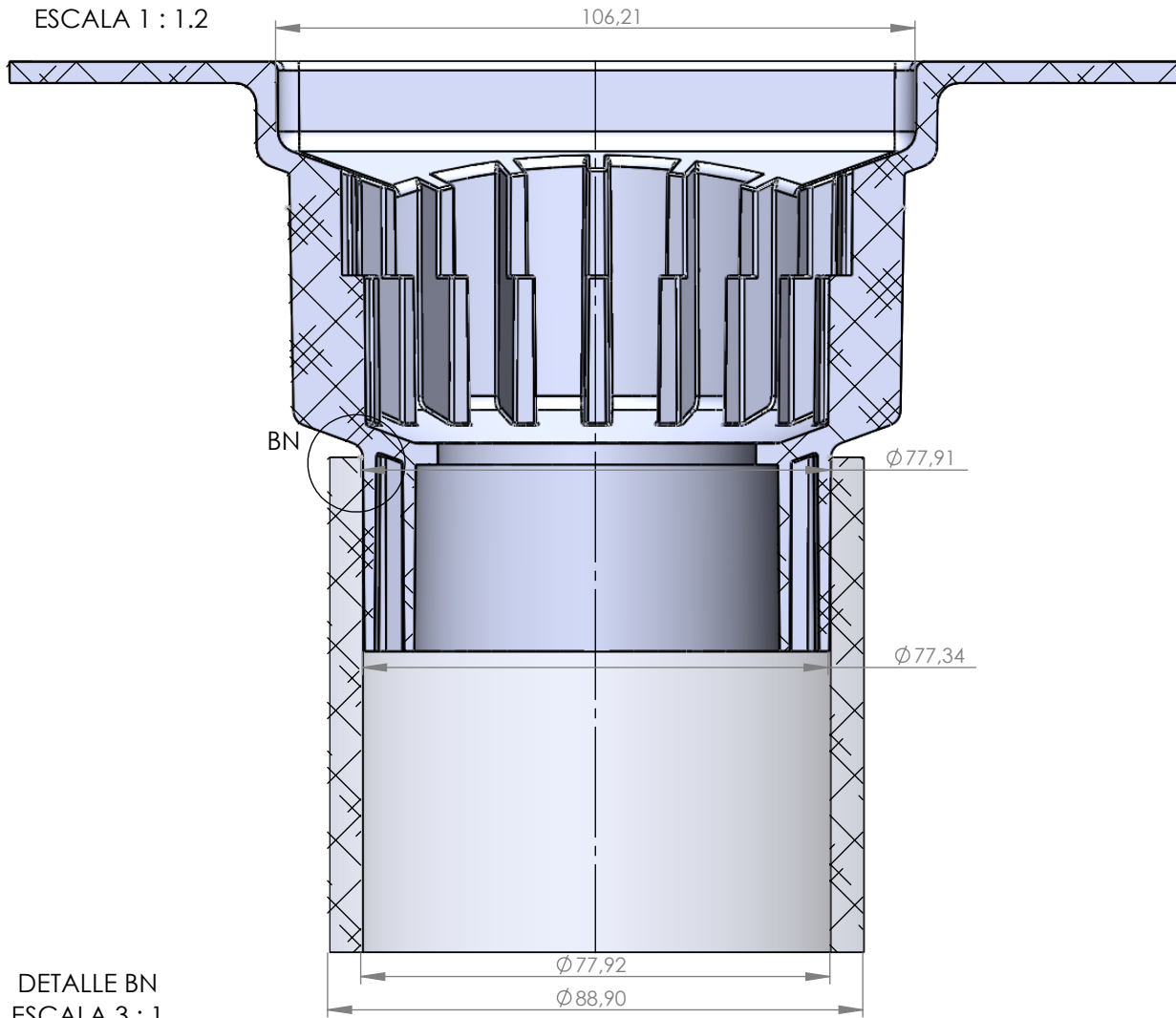


DETALLE BK
ESCALA 3 : 1

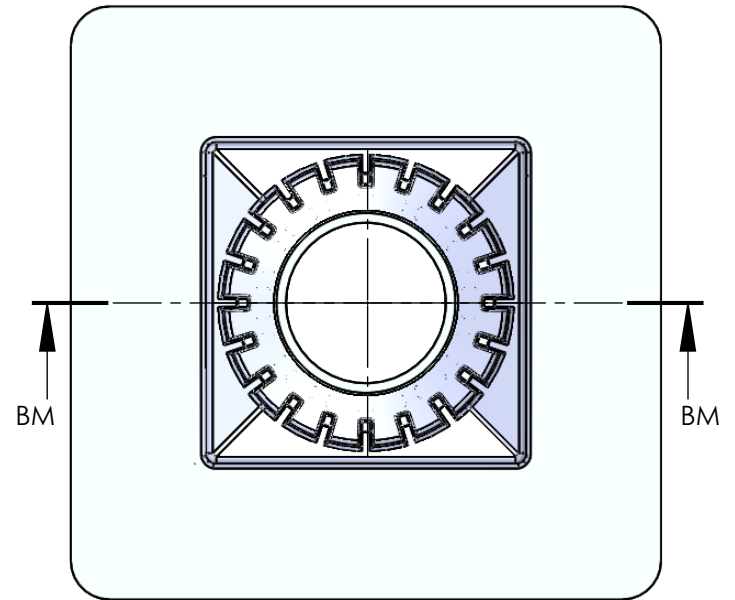
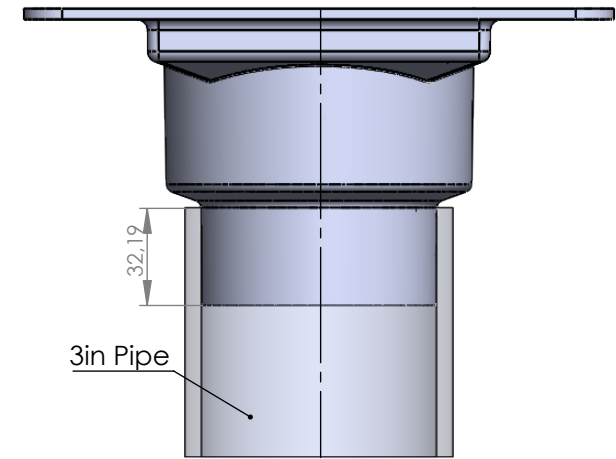
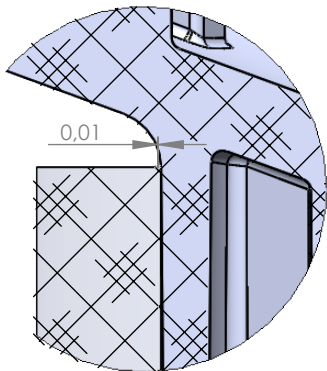


Description:	Drew by:	Eng. Héctor Berbesi	Fecha:	22/04/2023	Enterprise:
	Designed by:	Eng. Héctor Berbesi	Fecha:	22/04/2023	
Line:	Bonded Flange 4x4 whit 4in Pipe				
Scale:	Drain				Material:
					N/I

SECCIÓN BM-BM
ESCALA 1 : 1.2



DETALLE BN
ESCALA 3 : 1



Description:

**Bonded Flange 4x4
whit 3in Pipe**

Line:

Drain

Drew by:

Eng. Héctor Berbesi

Designed by:

Eng. Héctor Berbesi

Fecha:

22/04/2023

Fecha:

22/04/2023

Enterprise:



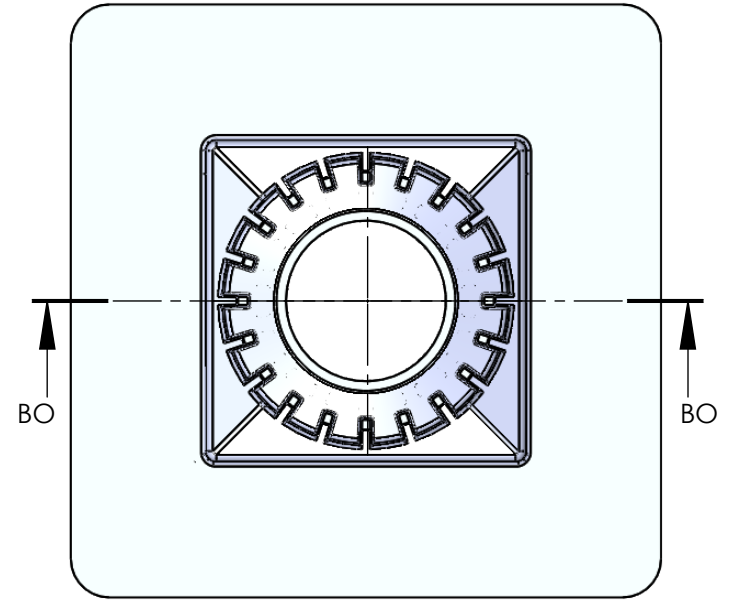
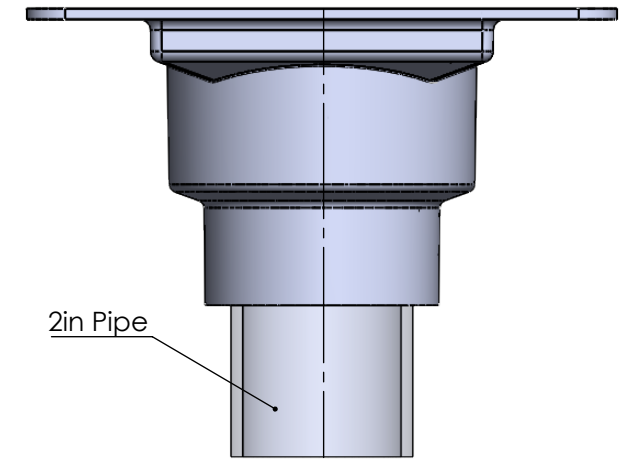
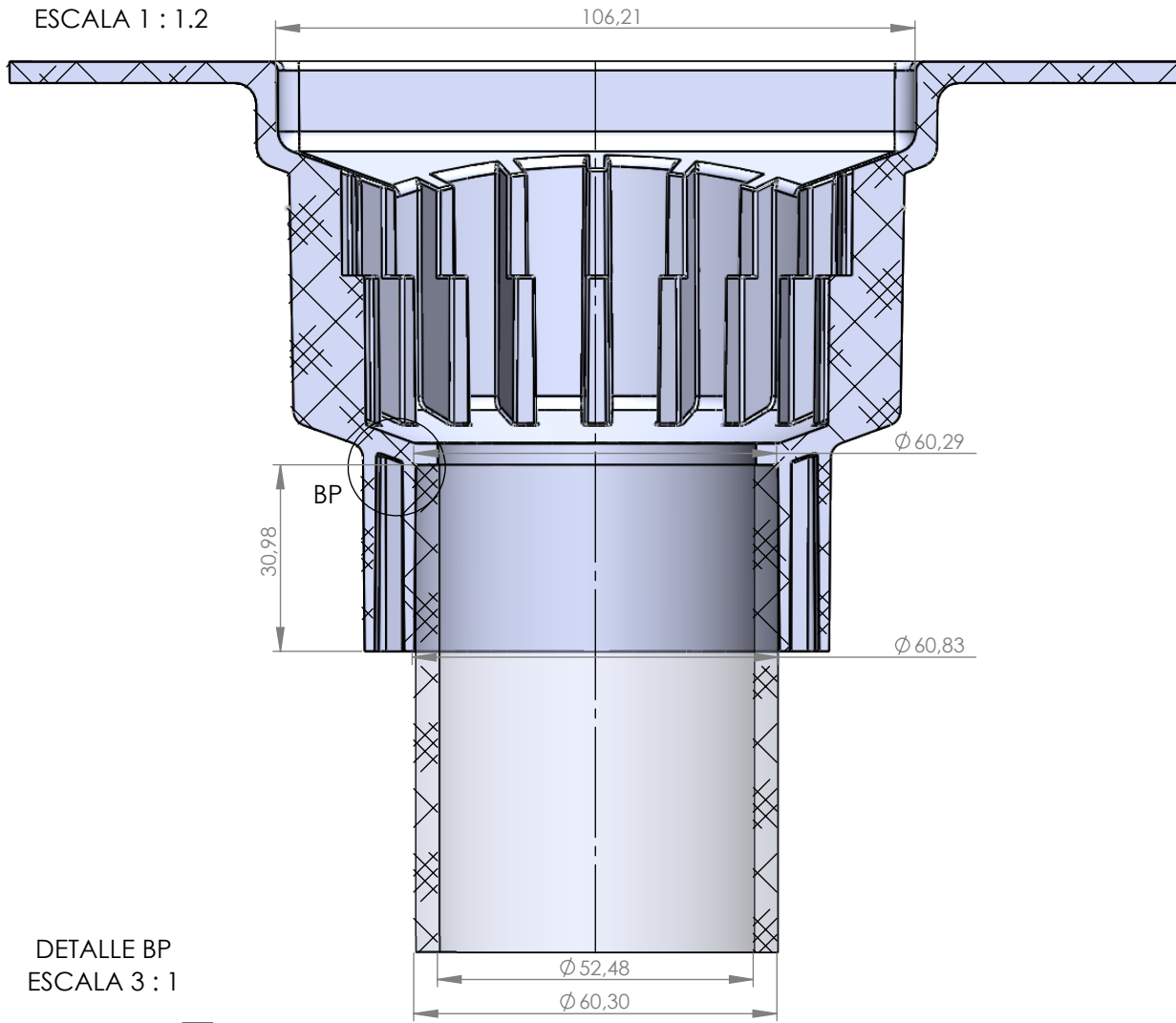
fabrication process:
Plastic Injection

Scale:

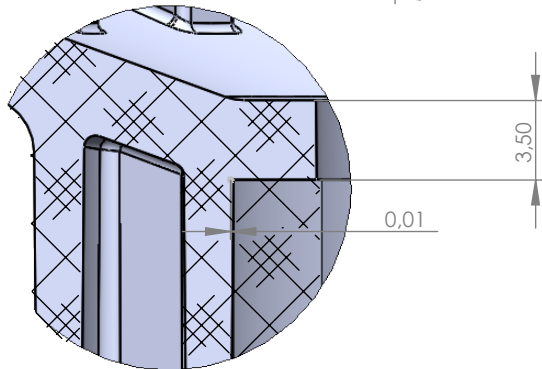
N/I


Material:

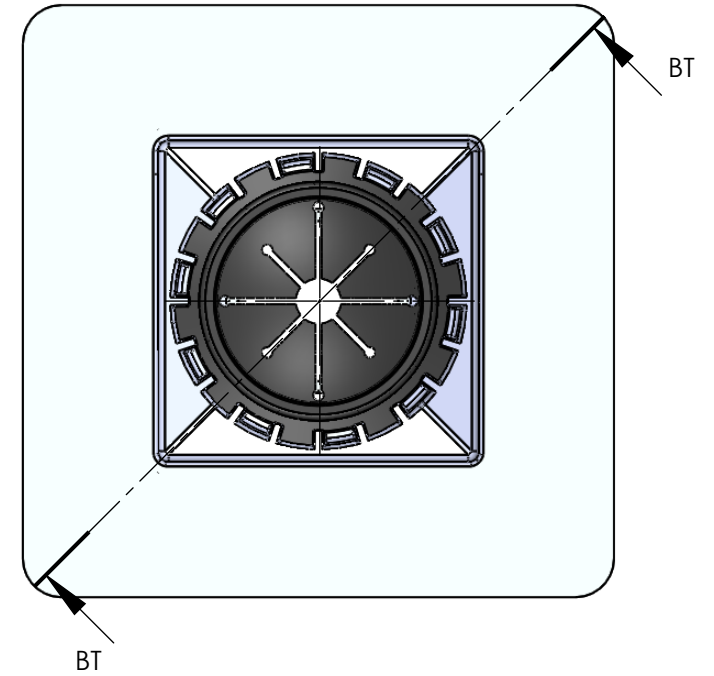
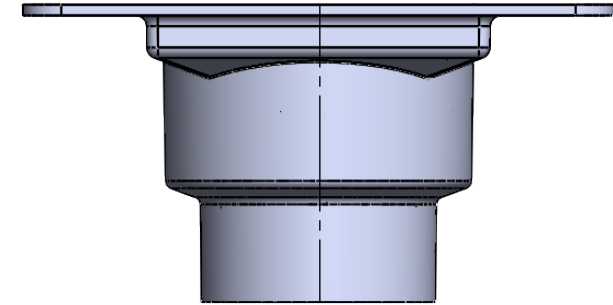
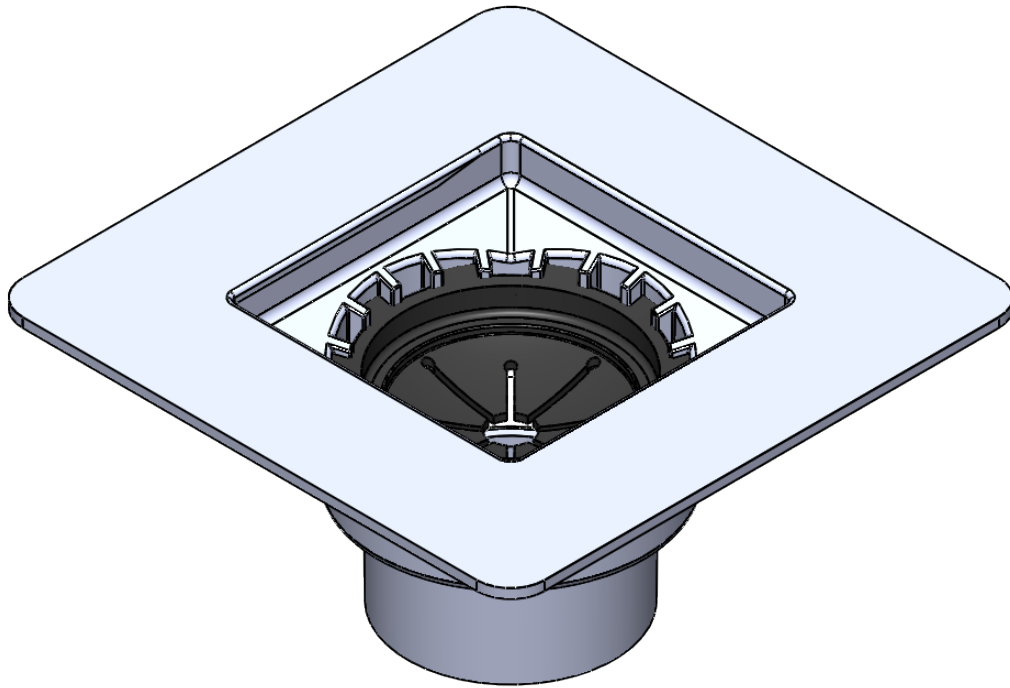
SECCIÓN BO-BO
ESCALA 1 : 1.2



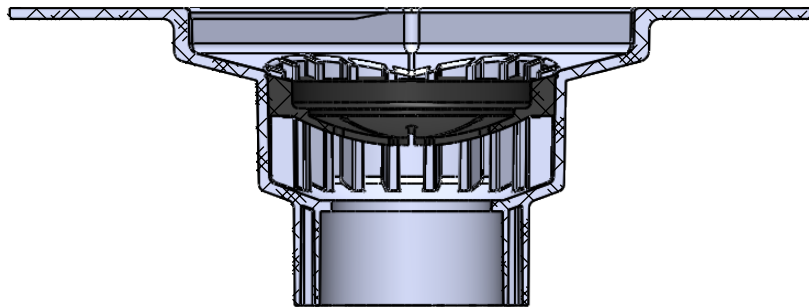
DETALLE BP
ESCALA 3 : 1




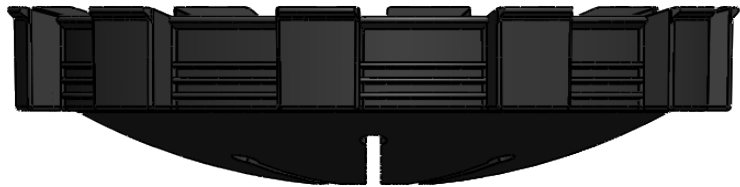
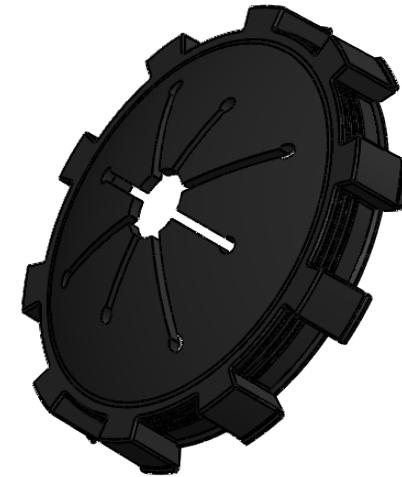
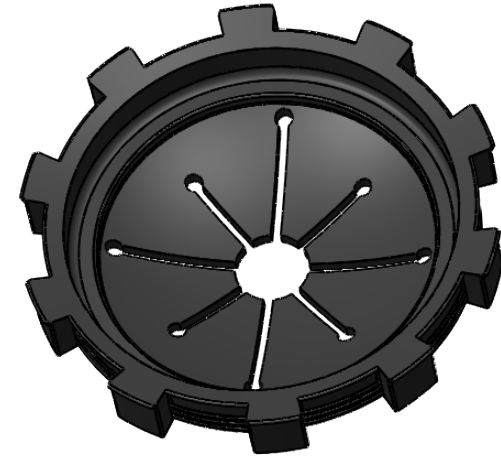
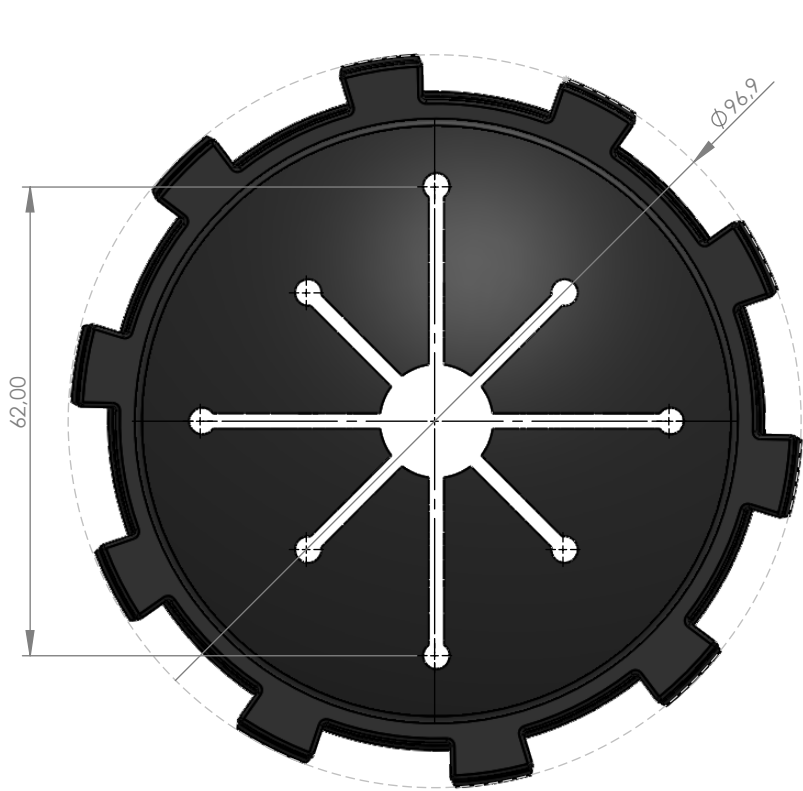
Description:	Drew by:	Eng. Héctor Berbesi	Fecha:	22/04/2023	Enterprise:
	Designed by:	Eng. Héctor Berbesi	Fecha:	22/04/2023	
Line:	Bonded Flange 4x4 whit 2in Pipe				
Scale:	Drain				Material:




SECCIÓN BT-BT
ESCALA 1 : 2.5



Description:	Drew by:	Eng. Héctor Berbesi	Fecha:	22/04/2023	Enterprise:
	Designed by:	Eng. Héctor Berbesi	Fecha:	22/04/2023	
Line:	Bonded Flange 4x4 whit Rubber				
Scale:	N/I		fabrication process:		
			Material:		



Description:	Drew by:	Eng. Héctor Berbesi	Fecha:	22/04/2023	Enterprise:
	Designed by:	Eng. Héctor Berbesi	Fecha:	22/04/2023	
Line:	Bonded Flange Rubber				
Drain					