



# ENGINEERING EXCELLENCE

Motegi Series #7MT032

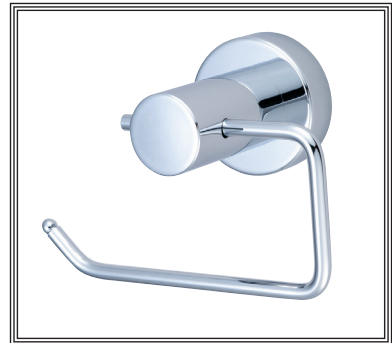
PARTS BREAKDOWN SHEET

### DESCRIPTION

- Toilet Tissue Holder
- Brass Mount
- Concealed Screw Installation
- Mounting Hardware

### FINISHES

- PC PVD Polished Chrome
- BN PVD Brushed Nickel
- PB PVD Polished Brass
- PN PVD Polished Nickel
- SS PVD Stainless Steel
- ORB Oil Rubbed Bronze



#7MT032 SHOWN

Model #: \_\_\_\_\_

Specific Features: \_\_\_\_\_

Project Name: \_\_\_\_\_

Submitted For: \_\_\_\_\_

Model	Description	Finishes
#7MT032	Toilet Tissue Holder	<input type="checkbox"/> PC <input type="checkbox"/> Other ____

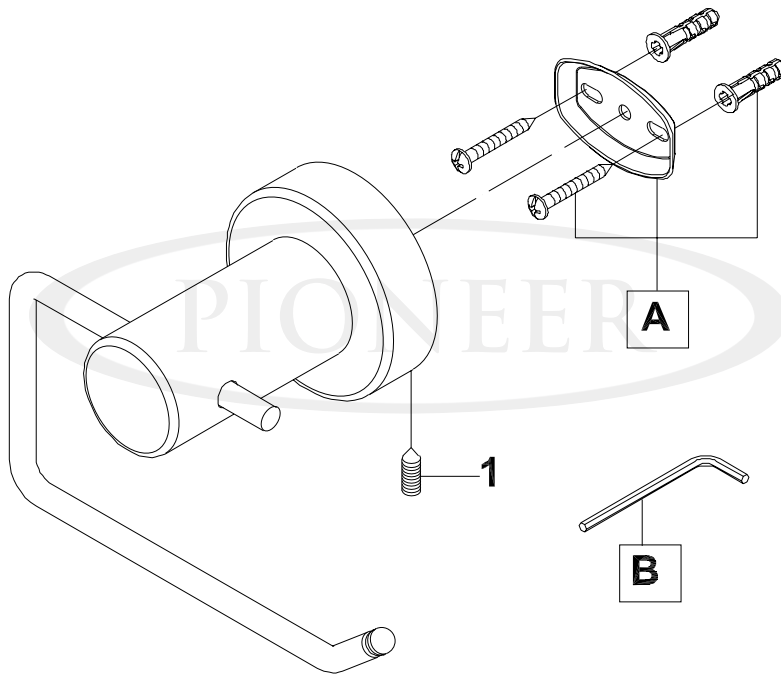
DMPB7MT032/REV. 06 2012  
Page 1 of 2



ENGINEERING EXCELLENCE

Pioneer:1-800-338-9468  
Commerce, CA 90040  
www.pioneerind.com  
Pioneer Industries, Inc. © 2012

	ITEM#	DESCRIPTION
A	X-5600001	Mounting Kit
B	X-4900024	Allen Wrench
1	X-4600002	Mounting Screw



Product Diagram



ENGINEERING EXCELLENCE

Pioneer: 1-800-338-9468  
 Commerce, CA 90040  
 www.pioneerind.com  
 Pioneer Industries, Inc. © 2012