



ENGINEERING EXCELLENCE

Prenza Series #6PR101T

PARTS BREAKDOWN SHEET

DESCRIPTION

- Single Handle Diverter Trim Set
- Metal Lever Handle
- Diverter Valve Face Plate
- Diverter Valve Sleeve

FINISHES

- PC PVD Polished Chrome
- BN PVD Brushed Nickel
- SS PVD Stainless Steel
- PN PVD Polished Nickel



#6PR101T SHOWN * ADA 

STANDARDS APPLICABLE

- ASME A112.18.1
- ANSI A117.1
- ADA COMPLIANT

Model #: _____

Specific Features: _____

Project Name: _____

Submitted For: _____

Model	Description	Finishes	
#6PR101T	Single Handle Diverter Trim Set	<input type="checkbox"/> PC	<input type="checkbox"/> Other____
Required Valve			
#4100B	Single Handle Diverter Valve Set	<input type="checkbox"/> N/A	



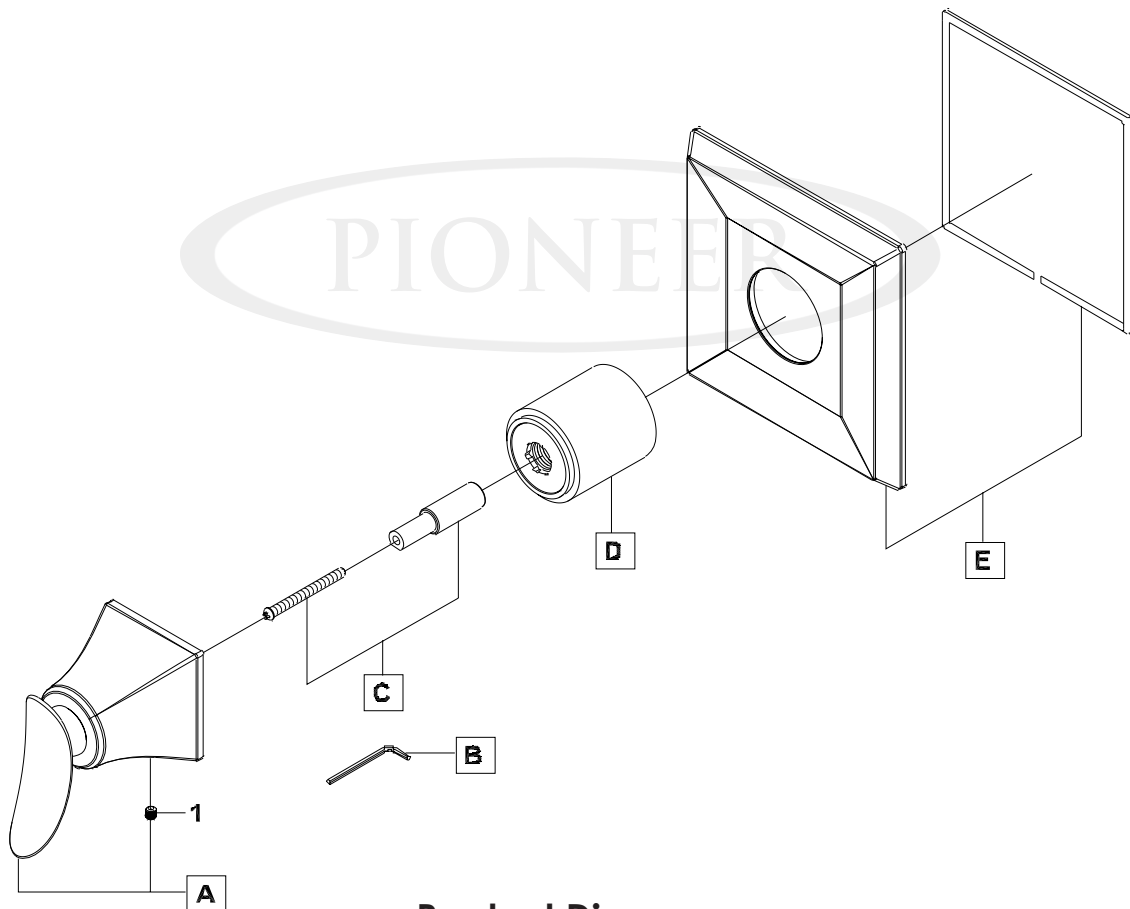
ENGINEERING EXCELLENCE

Pioneer: 1-800-338-9468
 Commerce, CA 90040
 www.pioneerind.com
 Pioneer Industries, Inc. © 2013

DMPB6PR101T/REV. 12 2012
 Page 1 of 2

	ITEM#	DESCRIPTION
A	X-1600009*	Prenza Lever Handle
B	X-4900024	Allen Wrench
C	X-4600047	Stem Adapter
D	X-4600035*	Diverter Sleeve
E	X-6600004*	Prenza Face Plate
I	X-4400024	Allen Screw

* Note- Please specify finish/color code while ordering.



Product Diagram

