



# ENGINEERING EXCELLENCE

## Gibraltar Series #6GB101T

## PARTS BREAKDOWN SHEET

### DESCRIPTION

- Single Handle Diverter Trim Set
- Metal Lever Handle
- Diverter Valve Face Plate
- Diverter Valve Sleeve

### FINISHES

- PC PVD Polished Chrome
- BN PVD Brushed Nickel
- PN PVD Polished Nickel
- ORB Oil Rubbed Bronze



#6GB101T SHOWN \* ADA 

### STANDARDS APPLICABLE

- ASME A112.18.1
- ANSI A117.1
- ADA COMPLIANT

Model #: \_\_\_\_\_

Specific Features: \_\_\_\_\_

Project Name: \_\_\_\_\_

Submitted For: \_\_\_\_\_

Model	Description	Finishes
#6GB101T	Single Handle Diverter Trim Set	<input type="checkbox"/> PC <input type="checkbox"/> Other____
Required Valve		
#4100B	Single Handle Diverter-Valve Set	<input type="checkbox"/> N/A



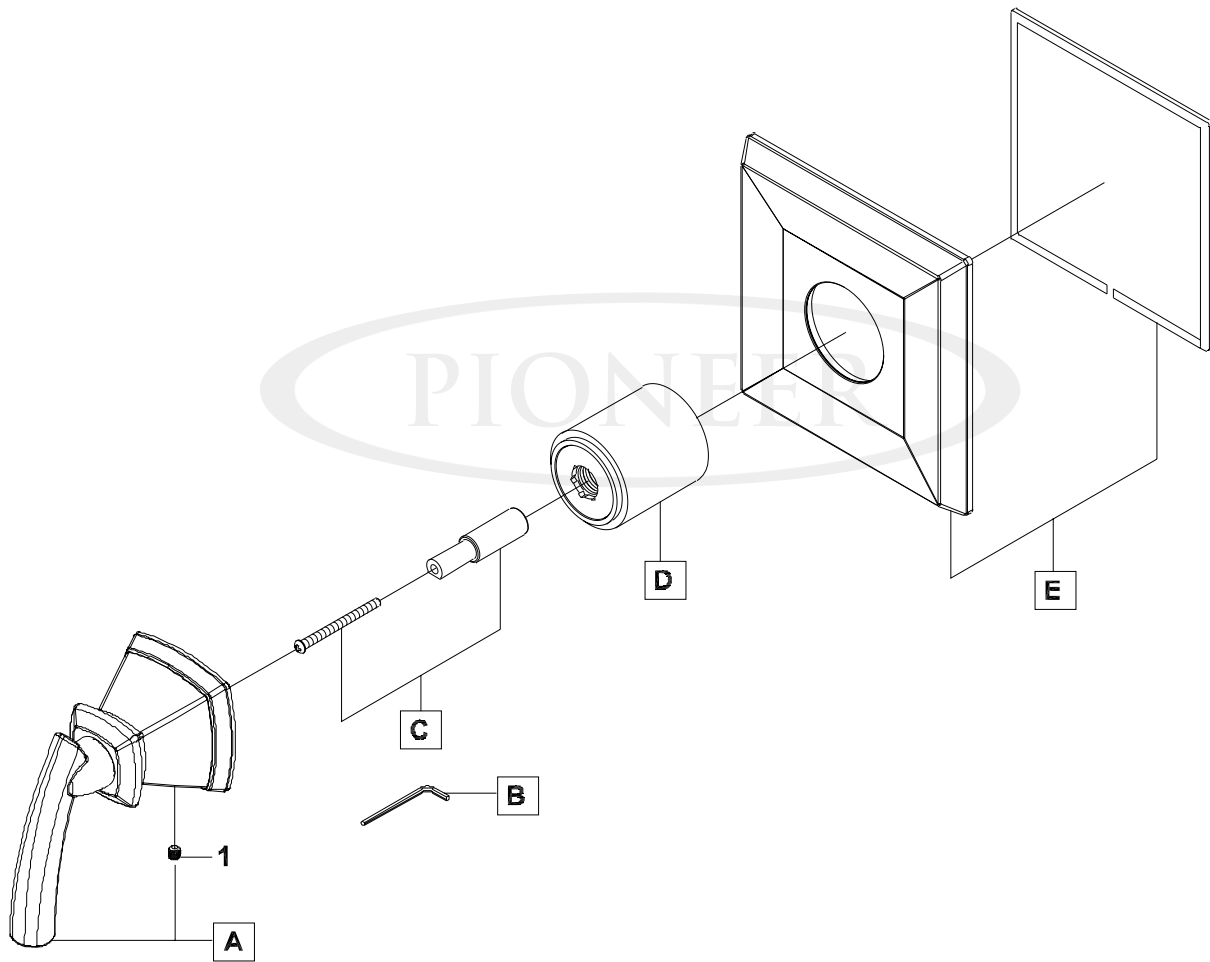
ENGINEERING EXCELLENCE

Pioneer: 1-800-338-9468  
 Commerce, CA 90040  
 www.pioneerind.com  
 Pioneer Industries, Inc. © 2013

DMPB6GB101T/REV. 12 2012  
 Page 1 of 2

	ITEM#	DESCRIPTION
A	X-1600010*	Metal Lever Handle
B	X-4900024	Allen Wrench
C	X-4600020	Stem Adapter
D	X-4600035*	Diverter Sleeve
E	X-6600004*	Prenza Face Plate
1	X-4400024	Allen Screw

\* Note- Please specify finish/color code while ordering.



Product Diagram



ENGINEERING EXCELLENCE

Pioneer: 1-800-338-9468  
 Commerce, CA 90040  
 www.pioneerind.com  
 Pioneer Industries, Inc. © 2013