



ENGINEERING EXCELLENCE

Motegi Series #4MT200T PARTS BREAKDOWN SHEET

DESCRIPTION

- Single Handle Tub Trim Set
- Metal Lever Handle
- Ceramic Disc Cartridge with Temperature Limit Stop
- 1/2" IPS Tub Spout
- 6-1/8" Spout Reach, Tub Spout Escutcheon
- Color Match Sleeve and Retaining Ring

FINISHES

- PC PVD Polished Chrome
- BN PVD Brushed Nickel
- PB PVD Polished Brass
- PN PVD Polished Nickel
- SS PVD Stainless Steel



#4MT200T SHOWN \* ADA 

STANDARDS APPLICABLE

- ASME A112.18.1
- ANSI A117.1
- CUPC / IAPMO LISTED /ADA COMPLIANT

Model #: \_\_\_\_\_

Specific Features: \_\_\_\_\_

Project Name: \_\_\_\_\_

Submitted For: \_\_\_\_\_

Model	Description	Finishes
#4MT200T	Single Handle Tub Trim Set	<input type="checkbox"/> PC <input type="checkbox"/> Other ____
Required Valve		
#4020B	Single Handle Tub And Shower Valve Set	<input type="checkbox"/> N/A

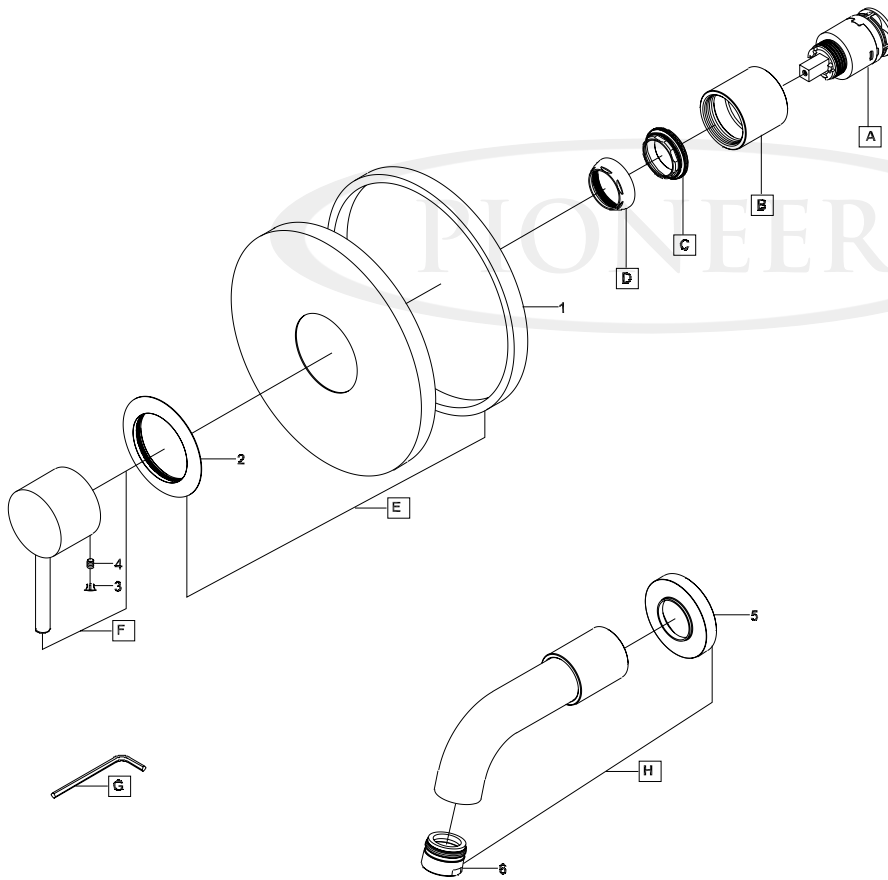


ENGINEERING EXCELLENCE

Pioneer: 1-800-338-9468  
 Commerce, CA 90040  
 www.pioneerind.com  
 Pioneer Industries, Inc. © 2013

	ITEM#	DESCRIPTION
A	X-3400007	Ceramic Cartridge
B	X-4400030*	Sleeve
C	X-4400080	Lock Nut
D	X-4200001*	Retainer Cap
E	X-4400043*	Face Plate
F	X-1400028*	Motegi Handle
G	X-4900024	3/32" Allen Wrench
H	X-6400024*	Motegi Tub Spout
1	X-4400044	Rubber Gasket
2	X-4400045*	Face Plate Flange
3	X-4900044*	Hole Cover
4	X-4900080	3/32" Allen Screw
5	X-4200071*	Spout Escutcheon
6	X-4400042*	Flow Streamer

\* Note: Please specify finish/color when ordering.



Product Diagram



ENGINEERING EXCELLENCE

Pioneer: 1-800-338-9468  
 Commerce, CA 90040  
 www.pioneerind.com  
 Pioneer Industries, Inc. © 2013