



ENGINEERING EXCELLENCE

Motegi Series #4MT100T PARTS BREAKDOWN SHEET

DESCRIPTION

- Single Handle Tub and Shower With Diverter Trim Set
- Metal Lever Handles
- Ceramic Disc Cartridge with Temperature Limit Stop
- Five Function 3" Diameter Showerhead
- Shower Arm and Flange
- 1/2" IPS Tub Spout
- 6-1/8" Spout Reach, Tub Spout Escutcheon
- Color Match Sleeve and Retaining Ring

FINISHES

- PC PVD Polished Chrome
- BN PVD Brushed Nickel
- PB PVD Polished Brass
- PN PVD Polished Nickel
- SS PVD Stainless Steel



#4MT100T SHOWN * ADA

STANDARDS APPLICABLE

- ASME A112.18.1
- ANSI A117.1
- CUPC / IAPMO LISTED /ADA COMPLIANT

FLOW

- Showerhead Limited to 2.5 GPM Flow Rate

Model #: _____

Specific Features: _____

Project Name: _____

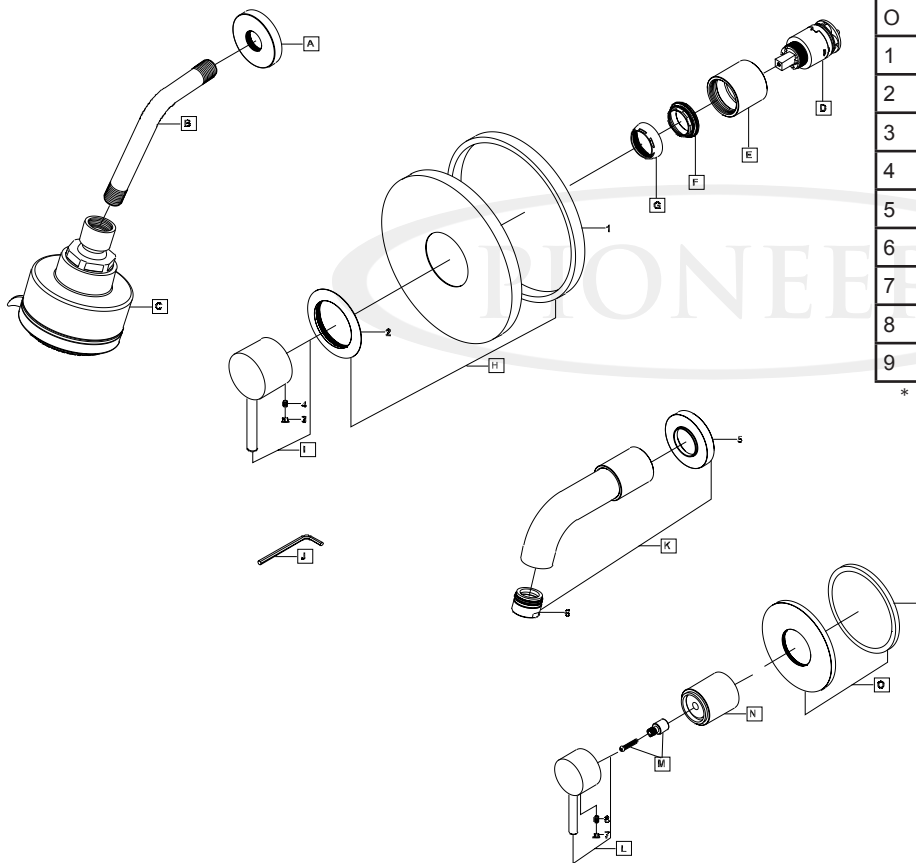
Submitted For: _____

Model	Description	Finishes
#4MT100T	Single Handle Tub and Shower With Diverter Trim Set	<input type="checkbox"/> PC <input type="checkbox"/> Other ____
Required Valve		
#4020B-D	Single Handle Tub and Shower Valve Set	<input type="checkbox"/> N/A



ENGINEERING EXCELLENCE
 Pioneer:1-800-338-9468
 Commerce, CA 90040
 www.pioneerind.com
 Pioneer Industries, Inc. © 2013

DMPB4MT100T/REV. 12 2012
 Page 1 of 2



	ITEM#	DESCRIPTION
A	X-6400011*	Shower Arm Flange
B	X-6400002*	Shower Arm
C	X-6400010*	Motegi 2.5 GPM Showerhead
D	X-3400007	Ceramic Cartridge
E	X-4400030*	Sleeve
F	X-4400080	Lock Nut
G	X-4200001*	Retainer Cap
H	X-4400043*	Face Plate
I	X-1400028*	Motegi Handle
J	X-4900024	3/32" Allen Wrench
K	X-6400024*	Motegi Tub Spout
L	X-1600001*	Diverter Handle
M	X-4600013	Diverter Handle Adapter
N	X-4600035*	Diverter Sleeve
O	X-4600011*	Diverter Face Plate
1	X-4400044	Rubber Gasket
2	X-4400045*	Face Plate Flange
3	X-4900044*	Hole Cover
4	X-4900080	3/32" Allen Screw
5	X-4200071*	Spout Escutcheon
6	X-4400042*	Flow Streamer
7	X-4900044*	Hole Cover
8	X-4900002	3/32" Allen Screw
9	X-4600012	Diverter Face Plate rubber gasket

* Note: Please specify finish/color when ordering.

Product Diagram



ENGINEERING EXCELLENCE

Pioneer: 1-800-338-9468
 Commerce, CA 90040
 www.pioneerind.com
 Pioneer Industries, Inc. © 2013