



ENGINEERING EXCELLENCE

Gibraltar Series #4GB610T

PARTS BREAKDOWN SHEET

DESCRIPTION

- Two Handle Roman Tub Trim Set
- Metal Lever Handles
- Rigid Spout
- 9-11/16" Reach
- 3-Hole 8" to 16" Installation

FINISHES

- PC PVD Polished Chrome
- BN PVD Brushed Nickel
- PN PVD Polished Nickel
- ORB Oil Rubbed Bronze



#4GB610T SHOWN * ADA 

STANDARDS APPLICABLE

- ASME A112.18.1
- ANSI A117.1
- CUPC / IAPMO LISTED / ADA COMPLIANT

Model #: _____

Specific Features: _____

Project Name: _____

Submitted For: _____

Model	Description	Finishes
#4GB610T	Two Handle Roman Tub Trim Set	<input type="checkbox"/> PC <input type="checkbox"/> Other__
Required Valve		
#4300B	Two Handle Roman Tub Valve Set	<input type="checkbox"/> N/A



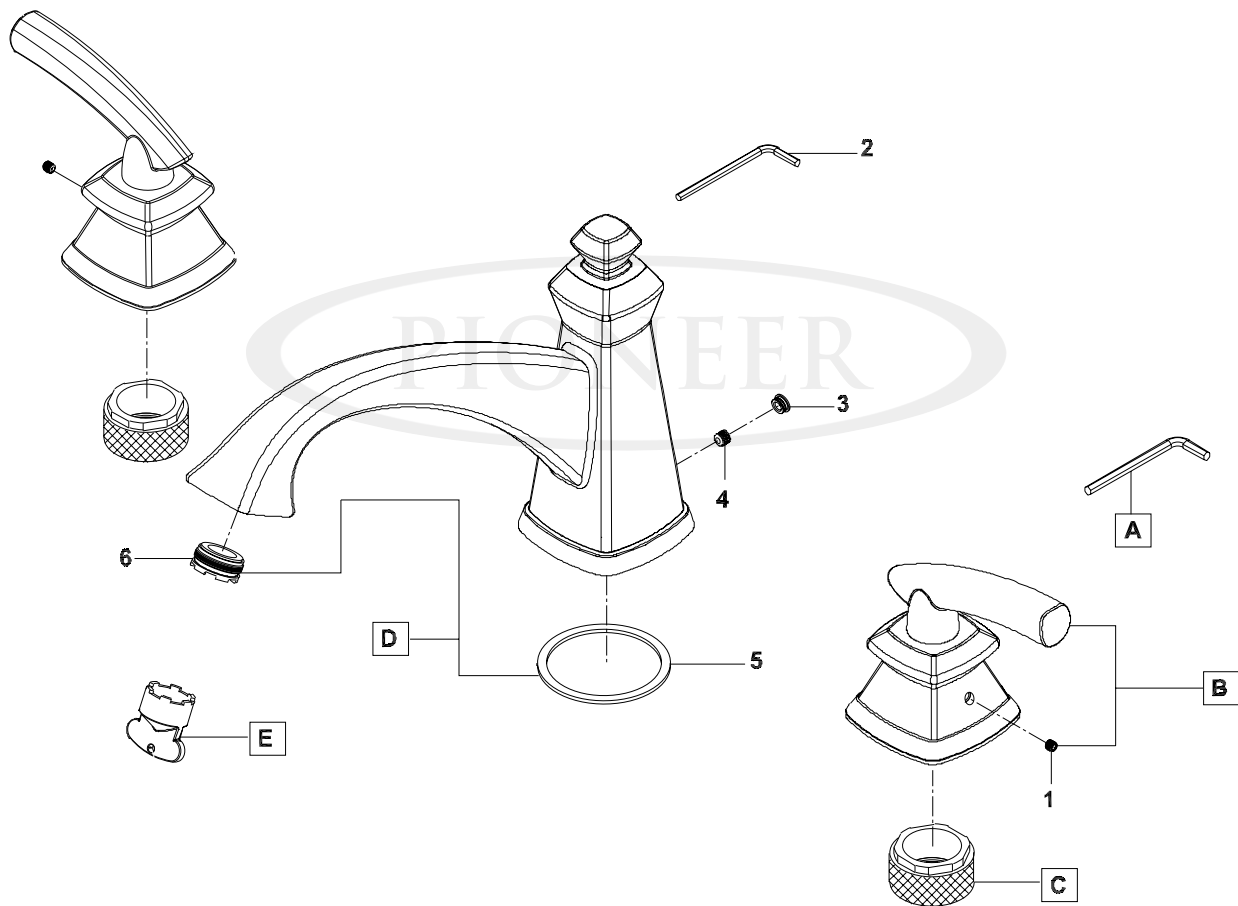
DMPB4GB610T/REV. 12 2012
Page 1 of 2

ENGINEERING EXCELLENCE

Pioneer: 1-800-338-9468
Commerce, CA 90040
www.pioneerind.com
Pioneer Industries, Inc. © 2013

	ITEM#	DESCRIPTION
A	X-4900024	Allen Wrench
B	X-1400042*	Gibraltar Lever Handle
C	X-4400098	Handle Nut
D	X-2400016*	Gibraltar Spout
E	X-4400071	Aerator Tool
1	X-4400099	Allen Screw
2	X-4900026	Allen Wrench
3	X-4400073*	Hole Cover
4	X-4400018	Allen Screw
5	X-4400101	Washer
6	X-4400102	Flow Streamer

* Note- Please specify finish/color code while ordering.



Product Diagram



ENGINEERING EXCELLENCE

Pioneer: 1-800-338-9468
 Commerce, CA 90040
 www.pioneerind.com
 Pioneer Industries, Inc. © 2013