



ENGINEERING EXCELLENCE

Gibraltar Series #4GB300T

PARTS BREAKDOWN SHEET

DESCRIPTION

- Single Handle Shower Trim Set
- Metal Lever Handle
- Ceramic Disc Cartridge with Temperature Limit Stop
- Five Function 4-1/2" Diameter Showerhead
- Shower Arm and Flange
- Color Match Sleeve and Retaining Ring

FINISHES

- PC PVD Polished Chrome
- BN PVD Brushed Nickel
- PN PVD Polished Nickel
- ORB Oil Rubbed Bronze



#4GB300T SHOWN * ADA 

STANDARDS APPLICABLE

- ASME A112.18.1
- ANSI A117.1
- CUPC / IAPMO LISTED / ADA COMPLIANT

FLOW

- Showerhead Limited to 2.5 GPM

Model #: _____

Specific Features: _____

Project Name: _____

Submitted For: _____

| Model | Description | Finishes |
|----------|-------------------------------|--|
| #4GB300T | Single Handle Shower Trim Set | <input type="checkbox"/> PC <input type="checkbox"/> Other__ |

| Required Valve | | |
|----------------|--|------------------------------|
| #4020B | Single Handle Tub and Shower-Valve Set | <input type="checkbox"/> N/A |



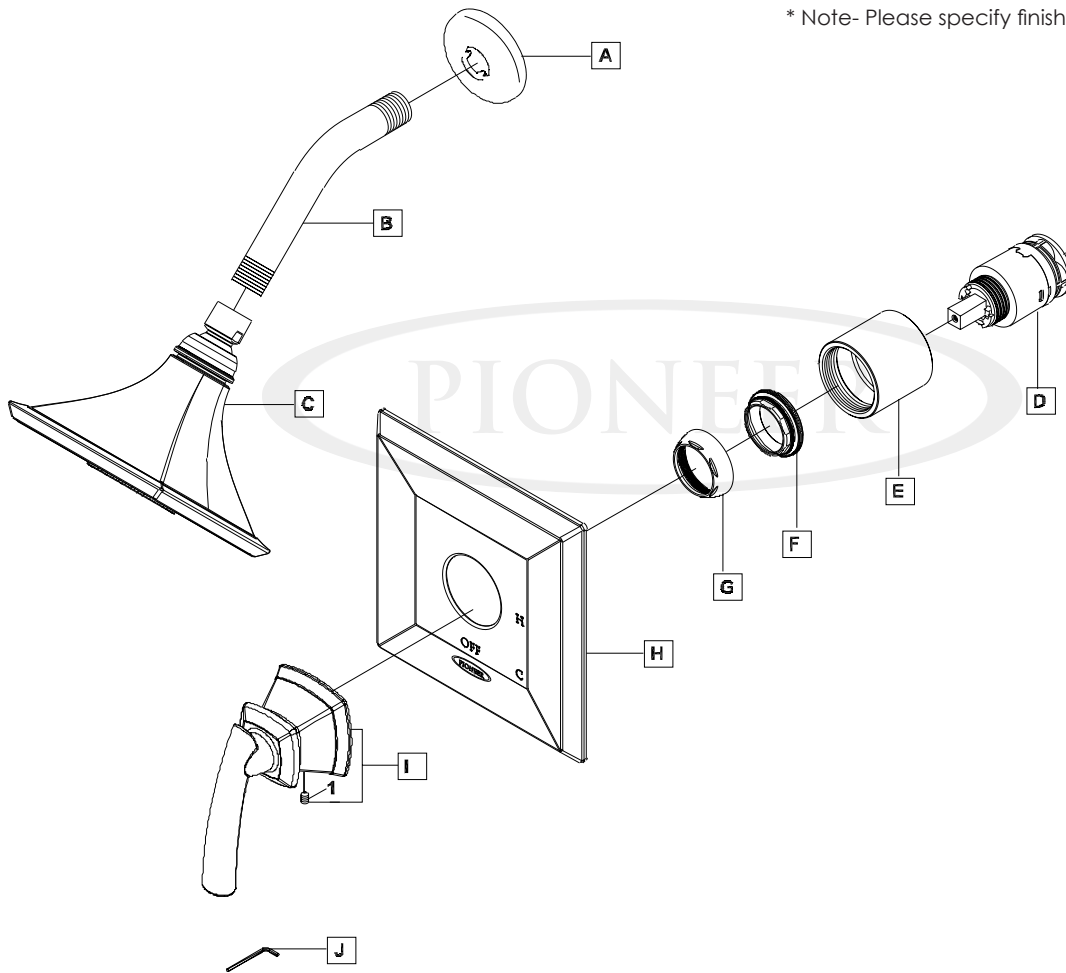
ENGINEERING EXCELLENCE

Pioneer: 1-800-338-9468
 Commerce, CA 90040
 www.pioneerind.com
 Pioneer Industries, Inc. © 2013

DMPB4GB300T/REV. 12 2012
 Page 1 of 2

| | ITEM# | DESCRIPTION |
|---|------------|-------------------------------|
| A | X-6400015* | Shower Arm Flange |
| B | X-6400002* | Shower Arm |
| C | X-6400009* | Five Setting Prenz Showerhead |
| D | X-3400007 | Ceramic Disc Cartridge |
| E | X-4400030* | Sleeve |
| F | X-4400080 | Lock Nut |
| G | X-4200001* | Retainer Cap |
| H | X-6400064* | Face Plate |
| I | X-1400041* | Gibraltar Lever Handle |
| J | X-4900024 | 3/32" Allen Wrench |
| I | X-4900002 | 3/32" Allen Screw |

* Note- Please specify finish/color code while ordering.



Product Diagram



ENGINEERING EXCELLENCE

Pioneer: 1-800-338-9468
 Commerce, CA 90040
 www.pioneerind.com
 Pioneer Industries, Inc. © 2013