



ENGINEERING EXCELLENCE

Gibraltar Series #4GB100T

PARTS BREAKDOWN SHEET

DESCRIPTION

- Single Handle Tub and Shower Trim Set
- Metal Lever Handle
- Ceramic Disc Cartridge with Temperature Limit Stop
- Five Function 4-1/2" Diameter Showerhead
- Shower Arm and Flange
- Combo 1/2" IPS/Slip-On Diverter Tub Spout
- Tub Spout Escutcheon
- Color Match Sleeve and Retaining Ring

FINISHES

- PC PVD Polished Chrome
- BN PVD Brushed Nickel
- PN PVD Polished Nickel
- ORB Oil Rubbed Bronze



#4GB100T SHOWN * ADA 

STANDARDS APPLICABLE

- ASME A112.18.1
- ANSI A117.1
- CUPC / IAPMO LISTED / ADA COMPLIANT

FLOW

- Showerhead Limited to 2.5 GPM

Model #: _____

Specific Features: _____

Project Name: _____

Submitted For: _____

Model	Description	Finishes	
#4GB100T	Single Handle Tub and Shower Trim Set	<input type="checkbox"/> PC	<input type="checkbox"/> Other__
#4GB400T	Single Handle Valve Trim Set	<input type="checkbox"/> PC	<input type="checkbox"/> Other__
Required Valve			
#4020B	Single Handle Tub and Shower-Valve Set	<input type="checkbox"/> N/A	



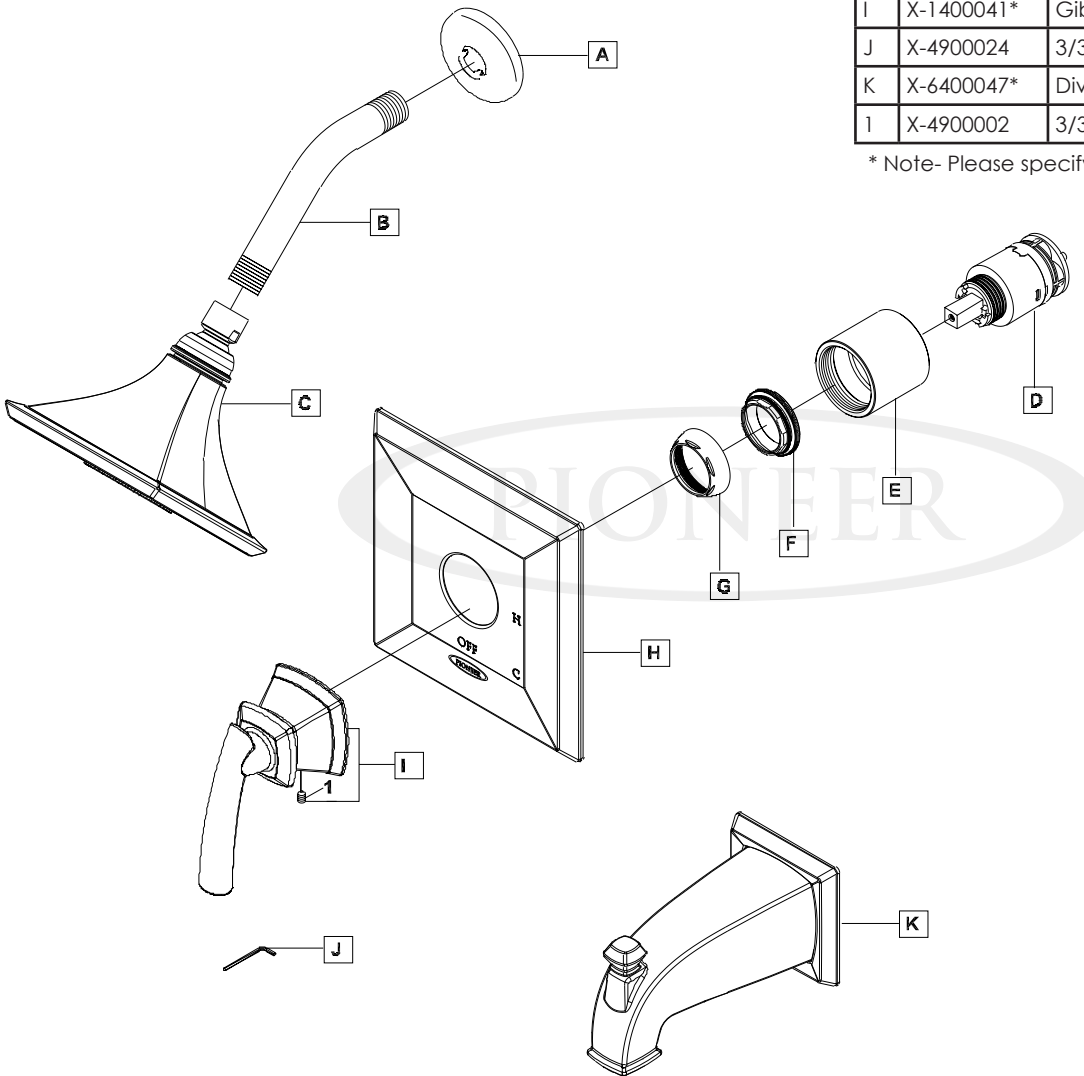
ENGINEERING EXCELLENCE

Pioneer:1-800-338-9468
 Commerce, CA 90040
 www.pioneerind.com
 Pioneer Industries, Inc. © 2013

DMPB4GB100T/REV. 12 2012
 Page 1 of 2

	ITEM#	DESCRIPTION
A	X-6400015*	Shower Arm Flange
B	X-6400002*	Shower Arm
C	X-6400009*	Five Setting Prenza Showerhead
D	X-3400007	Ceramic Disc Cartridge
E	X-4400030*	Sleeve
F	X-4400080	Lock Nut
G	X-4200001*	Retainer Cap
H	X-6400064*	Face Plate
I	X-1400041*	Gibraltar Lever Handle
J	X-4900024	3/32" Allen Wrench
K	X-6400047*	Diverter Tub Spout With Escutcheon
l	X-4900002	3/32" Allen Screw

* Note- Please specify finish/color code while ordering.



Product Diagram



ENGINEERING EXCELLENCE

Pioneer: 1-800-338-9468
 Commerce, CA 90040
 www.pioneerind.com
 Pioneer Industries, Inc. © 2013