



# ENGINEERING EXCELLENCE

Del Mar Series #4DM200T

PARTS BREAKDOWN SHEET

### DESCRIPTION

- Single Handle Tub Trim Set
- Metal Lever Handle
- 1/2" IPS Tub Spout
- Tub Spout Escutcheon
- Color Match Sleeve and Retaining Ring

### FINISHES

- PC PVD Polished Chrome
- BN PVD Brushed Nickel
- PN PVD Polished Nickel
- ORB Oil Rubbed Bronze



#4DM200T SHOWN \* ADA 

### STANDARDS APPLICABLE

- ASME A112.18.1/CSA B125.1
- ANSI A117.1
- CUPC / IAPMO LISTED /ADA COMPLIANT

Model #: \_\_\_\_\_

Specific Features: \_\_\_\_\_

Project Name: \_\_\_\_\_

Submitted For: \_\_\_\_\_

Model	Description	Finishes	
#4DM200T	Single Handle Tub Trim Set	<input type="checkbox"/> PC	<input type="checkbox"/> Other____
Required Valve			
#4020B	Single Handle Tub and Shower - Valve Set	<input type="checkbox"/> N/A	



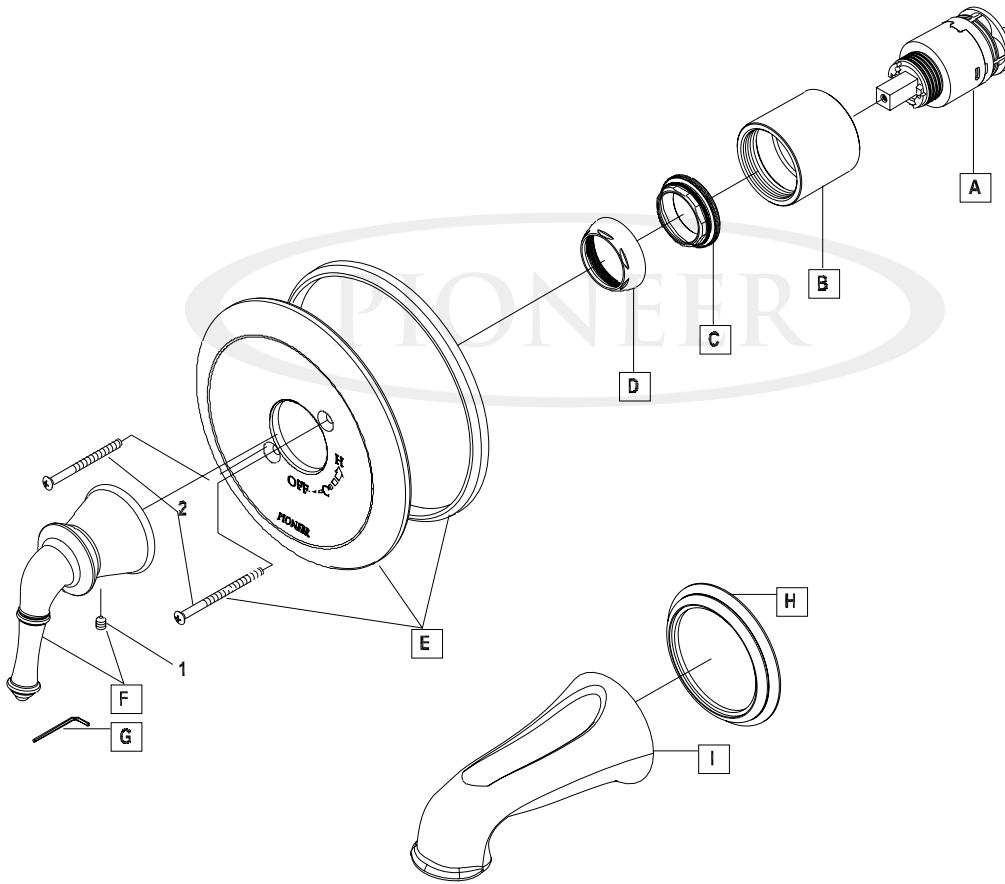
ENGINEERING EXCELLENCE

Pioneer:1-800-338-9468  
 Commerce, CA 90040  
 www.pioneerind.com  
 Pioneer Industries, Inc. © 2013

DMPB4DM200T/REV. 12 2012  
 Page 1 of 2

	ITEM#	DESCRIPTION
A	X-3400007	Ceramic Disc Cartridge
B	X-4400030*	Sleeve
C	X-4400080	Lock Nut
D	X-4200001*	Retainer Cap
E	X-6400059*	Del Mar Face plate
F	X-1400026*	Del Mar Handle
G	X-4900024	3/32" Allen Wrench
H	X-4400002*	Spout Escutcheon
I	X-6400022*	Del Mar Tub Spout
1	X-4900080	Allen Screw
2	X-4400062*	Face Plate Screws

\* Note- Please specify finish/color code while ordering.



Product Diagram



ENGINEERING EXCELLENCE

Pioneer: 1-800-338-9468  
 Commerce, CA 90040  
 www.pioneerind.com  
 Pioneer Industries, Inc. © 2013