



ENGINEERING EXCELLENCE

Del Mar Series #4DM100T

PARTS BREAKDOWN SHEET

DESCRIPTION

- Single Handle Tub and Shower Trim Set
- Metal Lever Handle
- Ceramic Disc Cartridge with Temperature Limit Stop
- Single Function 3-3/8" Standard Showerhead
- Shower Arm and Flange
- 1/2" IPS Diverter Tub Spout with Escutcheon
- Color Match Sleeve and Retaining Ring

FINISHES

- PC PVD Polished Chrome
- BN PVD Brushed Nickel
- PN PVD Polished Nickel
- ORB Oil Rubbed Bronze
- TB PVD Tuscany Bronze



#4DM100T SHOWN * ADA

STANDARDS APPLICABLE

- ASME A112.18.1
- ANSI A117.1
- CUPC / IAPMO LISTED /ADA COMPLIANT

FLOW

- Showerhead Limited to 2.5 GPM

Model #: _____

Specific Features: _____

Project Name: _____

Submitted For: _____

Model	Description	Finishes	
#4DM100T	Single Handle Tub and Shower Trim Set	<input type="checkbox"/> PC	<input type="checkbox"/> Other____
#4DM400T	Single Handle Valve Trim Set	<input type="checkbox"/> PC	<input type="checkbox"/> Other____
Required Valve			
#4020B	Single Handle Tub and Shower-Valve Set	<input type="checkbox"/> N/A	



ENGINEERING EXCELLENCE

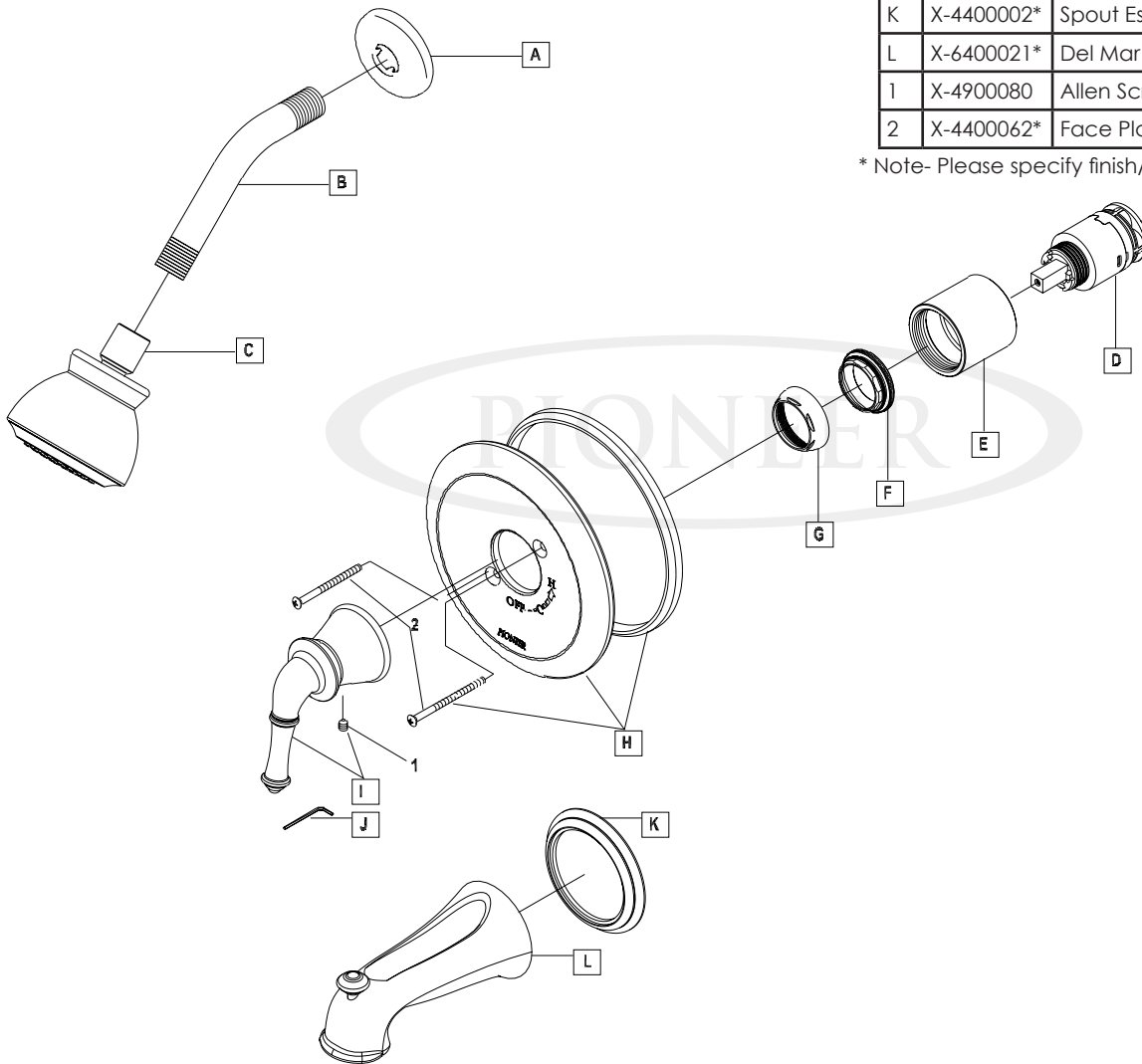
Pioneer:1-800-338-9468
 Commerce, CA 90040
 www.pioneerind.com
 Pioneer Industries, Inc. © 2013

DMPB4DM100T/REV. 12 2012

Page 1 of 2

	ITEM#	DESCRIPTION
A	X-6400015*	Del Mar Shower Arm Flange
B	X-6400002*	Shower Arm
C	X-6400019*	Del Mar Showerhead
D	X-3400007	Ceramic Disc Cartridge
E	X-4400030*	Sleeve
F	X-4400080	Lock Nut
G	X-4200001*	Retainer Cap
H	X-6400059*	Del Mar Face plate
I	X-1400026*	Del Mar Handle
J	X-4900024	3/32" Allen Wrench
K	X-4400002*	Spout Escutcheon
L	X-6400021*	Del Mar Diverter Tub spout
1	X-4900080	Allen Screw
2	X-4400062*	Face Plate Screws

* Note- Please specify finish/color code while ordering.



Product Diagram



ENGINEERING EXCELLENCE

Pioneer: 1-800-338-9468
 Commerce, CA 90040
 www.pioneerind.com
 Pioneer Industries, Inc. © 2013