



ENGINEERING EXCELLENCE

Caesar Collection #4CS200T

PARTS BREAKDOWN SHEET

DESCRIPTION

- Single Handle Tub Trim Set
- Metal Lever Handle
- Ceramic Disc Cartridge with Temperature Limit Stop
- 1/2" IPS Tub Spout
- Color Match Sleeve and Retaining Ring

FINISHES

- PC PVD Polished Chrome
- BN PVD Brushed Nickel
- SS PVD Stainless Steel
- PN PVD Polished Nickel



#4CS200T SHOWN * ADA 

STANDARDS APPLICABLE

- ASME A112.18.1
- ANSI A117.1
- CUPC / IAPMO LISTED / ADA COMPLIANT

Model #: _____

Specific Features: _____

Project Name: _____

Submitted For: _____

Model	Description	Finishes
#4CS200T	Single Handle Tub Trim Set	<input type="checkbox"/> PC <input type="checkbox"/> Other__
Required Valve		
#4020B	Single Handle Tub and Shower-Valve Set Only	<input type="checkbox"/> N/A



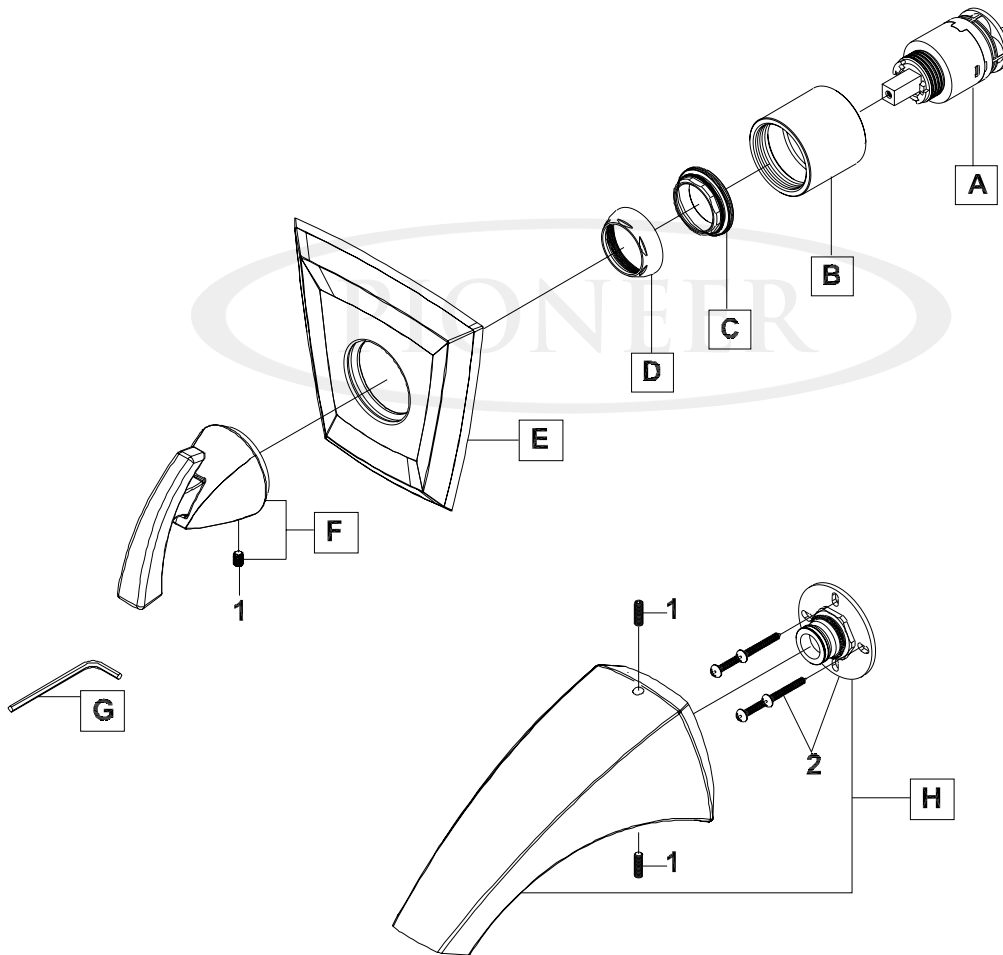
ENGINEERING EXCELLENCE

Pioneer: 1-800-338-9468
 Commerce, CA 90040
 www.pioneerind.com
 Pioneer Industries, Inc. © 2013

DMPB4CS200T/REV. 12 2012
 Page 1 of 2

	ITEM#	DESCRIPTION
A	X-3400007	Ceramic Disc Cartridge
B	X-4400030*	Sleeve
C	X-4400080	Lock Nut
D	X-4200001*	Retainer Cap
E	X-6400069*	Face Plate
F	X-1400036*	Caesar Handle
G	X-4900024	3/32" Allen Wrench
H	X-6400071*	Caesar Spout
1	X-4900080	3/32" Allen Screw
2	X-5400007	Mounting Kit

* Note: Please specify finish/color when ordering.



Product Diagram



ENGINEERING EXCELLENCE

Pioneer: 1-800-338-9468
Commerce, CA 90040
www.pioneerind.com
Pioneer Industries, Inc. © 2013