



ENGINEERING EXCELLENCE

Caesar Collection #4CS100T

PARTS BREAKDOWN SHEET

DESCRIPTION

- Single Handle Tub and Shower Trim Set
- Metal Lever Handle
- Ceramic Disc Cartridge with Temperature Limit Stop
- Single Function Rain Shower-head
- 8" Long Shower Arm and Flange
- 1/2" IPS Diverter Tub Spout
- Color Match Sleeve and Retaining Ring

FINISHES

- PC PVD Polished Chrome
- BN PVD Brushed Nickel
- SS PVD Stainless Steel
- PN PVD Polished Nickel



#4CS100T SHOWN * ADA 

STANDARDS APPLICABLE

- ASME A112.18.1
- ANSI A117.1
- CUPC / IAPMO LISTED / ADA COMPLIANT

FLOW

- Showerhead Limited to 2.5 GPM

Model #: _____

Specific Features: _____

Project Name: _____

Submitted For: _____

Model	Description	Finishes
#4CS100T	Single Handle Tub and Shower Trim Set	<input type="checkbox"/> PC <input type="checkbox"/> Other__
Required Valve		
#4020B	Single Handle Tub and Shower-Valve Set	<input type="checkbox"/> N/A



ENGINEERING EXCELLENCE

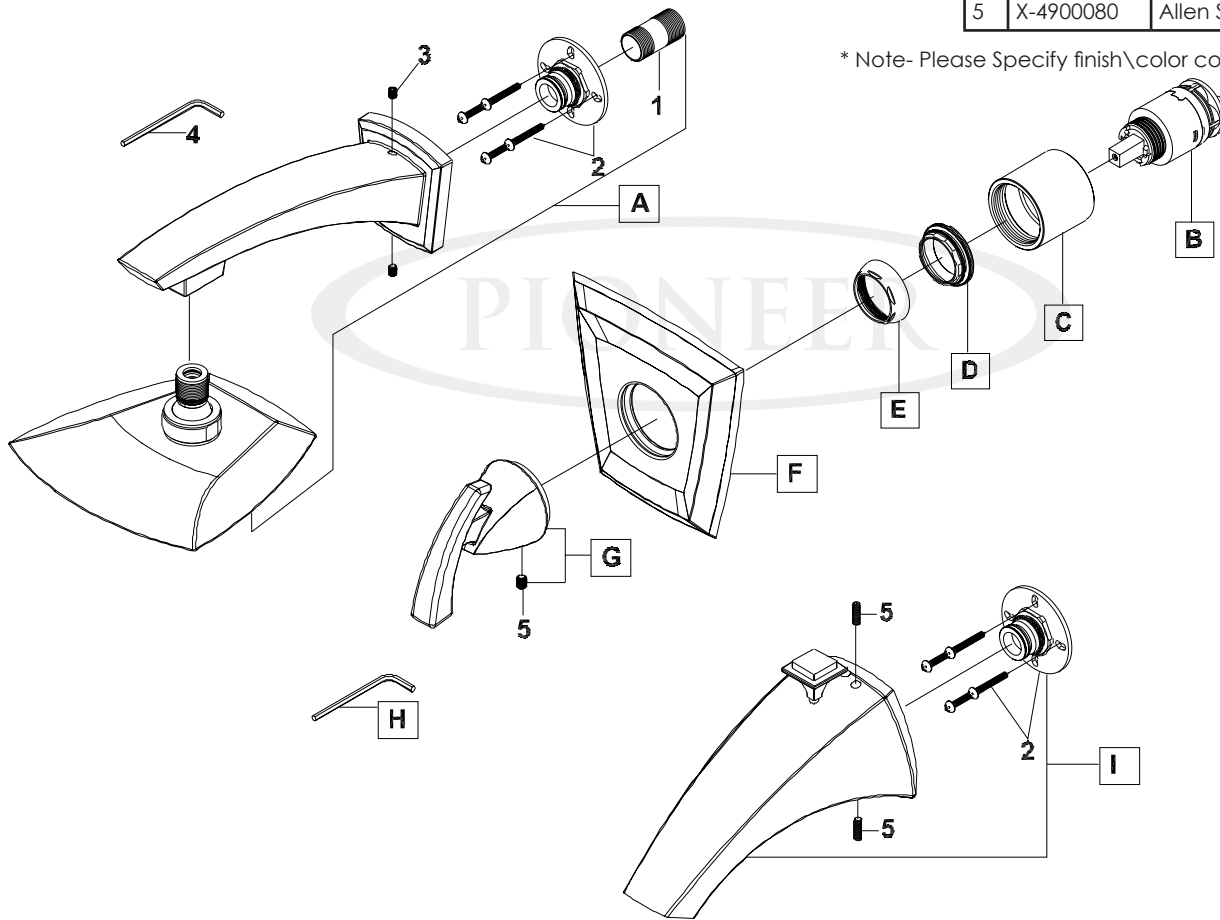
Pioneer:1-800-338-9468
 Commerce, CA 90040
 www.pioneerind.com
 Pioneer Industries, Inc. © 2013

DMPB4CS100T/REV. 12 2012

Page 1 of 2

	ITEM#	DESCRIPTION
A	X-6400063*	Caesar Showerhead
B	X-3400007	Ceramic Disc Cartridge
C	X-4400030*	Sleeve
D	X-4400080	Lock Nut
E	X-4200001*	Retainer Cap
E	X-6400069*	Face Plate
G	X-1400036*	Caesar Handle
H	X-4900024	3/32" Allen Wrench
I	X-6400070*	Caesar Diverter Spout
1	X-4400079	1/2" Nipple
2	X-5400007	Mounting Kit
3	X-4400001	Allen Screw
4	X-4900026	Allen Key
5	X-4900080	Allen Screw

* Note- Please Specify finish\color code while ordering.



Product Diagram

