



ENGINEERING EXCELLENCE

Calla Collection #4CL610

PARTS BREAKDOWN SHEET

DESCRIPTION

- Two Handle Roman Tub Set
- Metal Lever Handles
- Rigid Spout
- 7-3/8" Reach
- Ceramic Disc Cartridges
- 3-Hole 8" to 16" Installation

FINISHES

- PC PVD Polished Chrome
- BN PVD Brushed Nickel
- SS PVD Stainless Steel
- PN PVD Polished Nickel



STANDARDS APPLICABLE

- ASME A112.18.1
- ANSI A117.1
- CUPC / IAPMO LISTED / ADA COMPLIANT

Note:-

Rough-in valve included.

#4CL610 SHOWN * ADA 

Model #: _____

Specific Features: _____

Project Name: _____

Submitted For: _____

Model	Description	Finishes	
#4CL610	Two Handle Roman Tub Set	<input type="checkbox"/> PC	<input type="checkbox"/> Other__



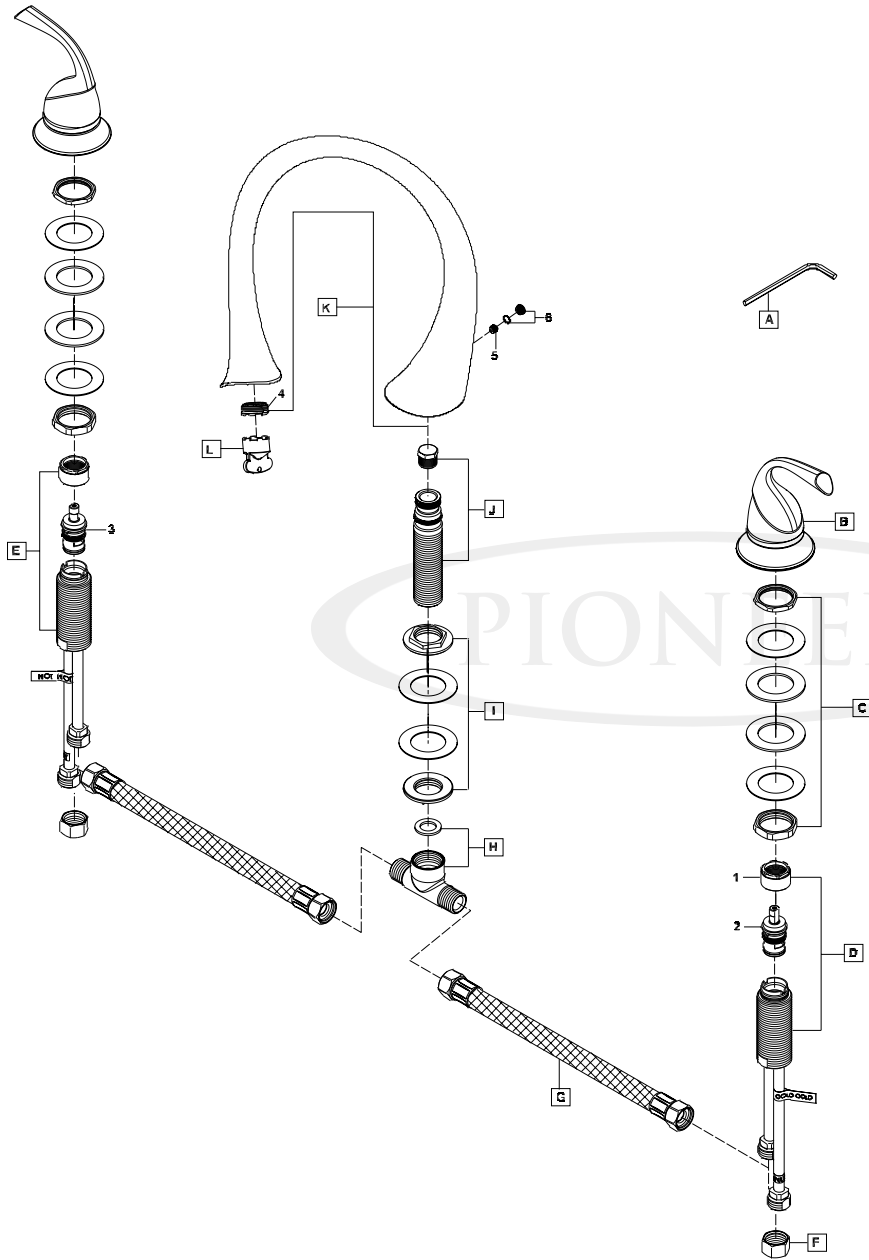
ENGINEERING EXCELLENCE

Pioneer: 1-800-338-9468
 Commerce, CA 90040
 www.pioneerind.com
 Pioneer Industries, Inc. © 2013

DMPB4CL610/REV. 12 2012
 Page 1 of 2

	ITEM#	DESCRIPTION
A	X-4900026	Allen Wrench
B	X-1400023*	Calla Handle
C	X-5400003	Valve Mounting Kit
D	X-3900006C	Valve-Cold
E	X-3900006H	Valve-Hot
F	X-4900004	Supply Nut
G	X-4400063	Hose Connector
H	X-4400029	T Connector
I	X-5400001	Spout Mounting Kit
J	X-5400005	Shank and Test Plug
K	X-2400013*	Spout
L	X-4400071	Aerator Tool
1	X-4900022	Bonnet Nut
2	X-3900007C	Ceramic Cartridge-Cold
3	X-3900007H	Ceramic Cartridge-Hot
4	X-4400072	Flow Streamer
5	X-4400001	Allen Screw
6	X-4400073*	Hole Cover

* Note: Please specify finish/color when ordering.



Product Diagram



ENGINEERING EXCELLENCE

Pioneer: 1-800-338-9468
 Commerce, CA 90040
 www.pioneerind.com
 Pioneer Industries, Inc. © 2013