



ENGINEERING EXCELLENCE

Brentwood Series #4BR330T

PARTS BREAKDOWN SHEET

DESCRIPTION

- Single Handle Shower Trim Set
- Beaux Lever Handle
- Ceramic Disc Cartridge with Temperature Limit Stop
- Dual Function 2-1/2" Diameter Showerhead
- Shower Arm and Flange
- Color Match Sleeve and Retaining Ring

FINISHES

- PC PVD Polished Chrome
- BN PVD Brushed Nickel
- PN PVD Polished Nickel
- PB PVD Polished Brass
- ORB Oil Rubbed Bronze



#4BR330T SHOWN * ADA 

STANDARDS APPLICABLE

- ASME A112.18.1
- ANSI A117.1
- CUPC / IAPMO LISTED / ADA COMPLIANT

FLOW

- Showerhead Limited to 2.5 GPM

Model #: _____

Specific Features: _____

Project Name: _____

Submitted For: _____

Model	Description	Finishes
#4BR330T	Single Handle Shower Trim Set	<input type="checkbox"/> PC <input type="checkbox"/> Other__
Required Valve		
#4020B	Single Handle Tub and Shower-Valve Set	<input type="checkbox"/> N/A



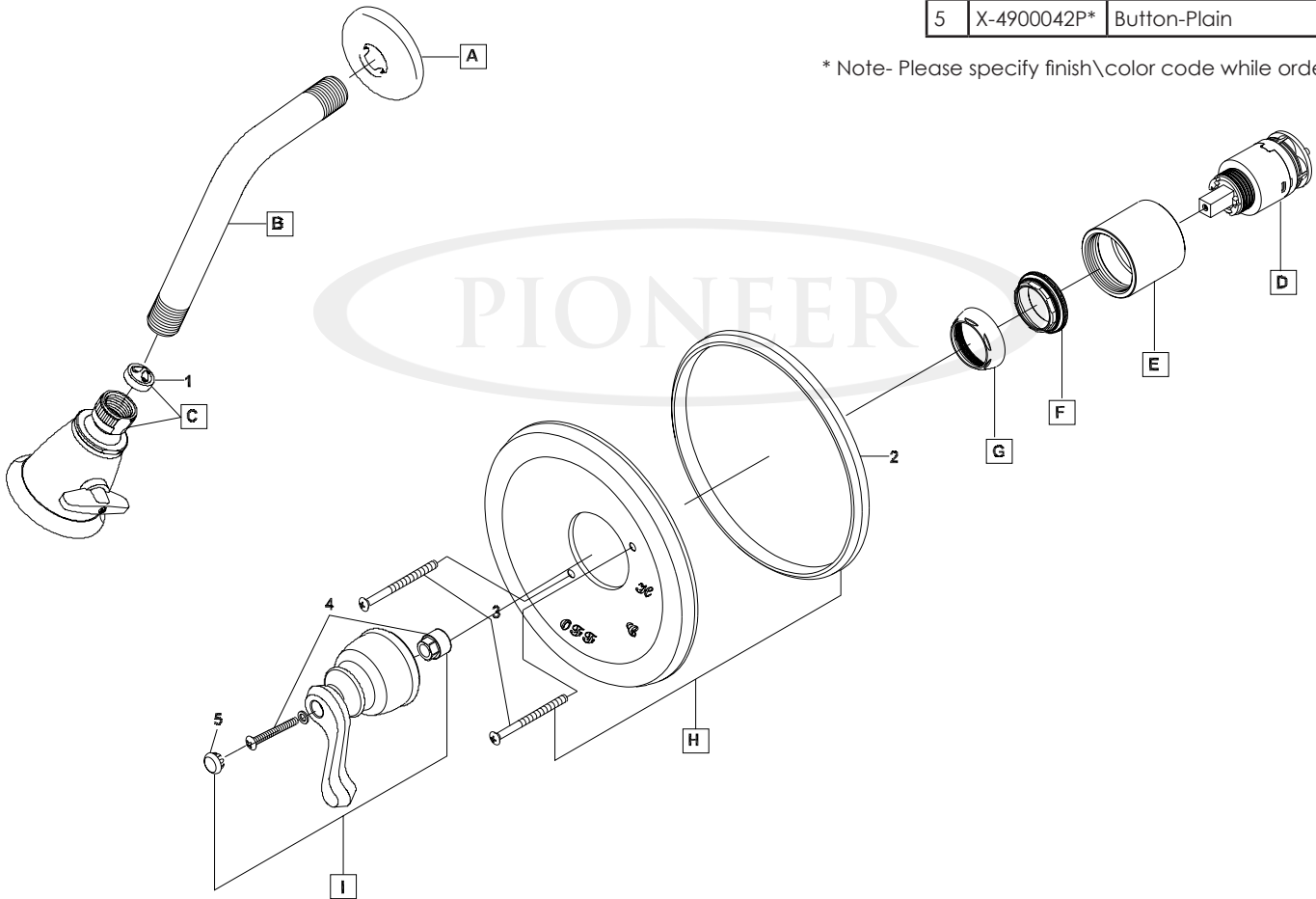
ENGINEERING EXCELLENCE

Pioneer: 1-800-338-9468
 Commerce, CA 90040
 www.pioneerind.com
 Pioneer Industries, Inc. © 2013

DMPB4BR330T/REV. 12 2012
 Page 1 of 2

	ITEM#	DESCRIPTION
A	X-6400015*	Shower Arm Flange
B	X-6400002*	Shower Arm
C	X-6400014*	Showerhead
D	X-3400007	Ceramic Disc Cartridge
E	X-4400030*	Sleeve
F	X-4400080	Lock Nut
G	X-4200001*	Retainer Cap
H	X-6400061*	Face Plate
I	X-1400033*	Beaux Lever Handle
1	X-4400054	Showerhead Restrictor
2	X-4400057	Rubber Gasket
3	X-4400062*	Face Plate Screws
4	X-4400083	Handle Adapter
5	X-4900042P*	Button-Plain

* Note- Please specify finish\color code while ordering.



Product Diagram

