



**ENGINEERING EXCELLENCE**

**Brentwood Series #4BR120T PARTS BREAKDOWN SHEET**

DESCRIPTION

- Single Handle Tub and Shower Trim Set
- Porcelain Cross Handle
- Ceramic Disc Cartridge with Temperature Limit Stop
- Dual Function 2-1/2" Diameter Showerhead
- Shower Arm and Flange
- Combo 1/2" IPS/Slip-On Diverter Tub Spout
- Tub Spout Escutcheon
- Color Match Sleeve and Retaining Ring

FINISHES

- PC PVD Polished Chrome
- BN PVD Brushed Nickel
- PN PVD Polished Nickel
- PB PVD Polished Brass
- ORB Oil Rubbed Bronze



#4BR120T SHOWN

STANDARDS APPLICABLE

- ASME A112.18.1
- CUPC / IAPMO LISTED

FLOW

- Showerhead Limited to 2.5 GPM

Model #: \_\_\_\_\_

Specific Features: \_\_\_\_\_

Project Name: \_\_\_\_\_

Submitted For: \_\_\_\_\_

| Model          | Description                                 | Finishes                     |                                  |
|----------------|---------------------------------------------|------------------------------|----------------------------------|
| #4BR120T       | Single Handle Tub and Shower Trim Set       | <input type="checkbox"/> PC  | <input type="checkbox"/> Other__ |
| #4BR420T       | Single Handle Valve Trim Set                | <input type="checkbox"/> PC  | <input type="checkbox"/> Other__ |
|                |                                             |                              |                                  |
| Required Valve |                                             |                              |                                  |
| #4020B         | Single Handle Tub and Shower-Valve Set Only | <input type="checkbox"/> N/A |                                  |

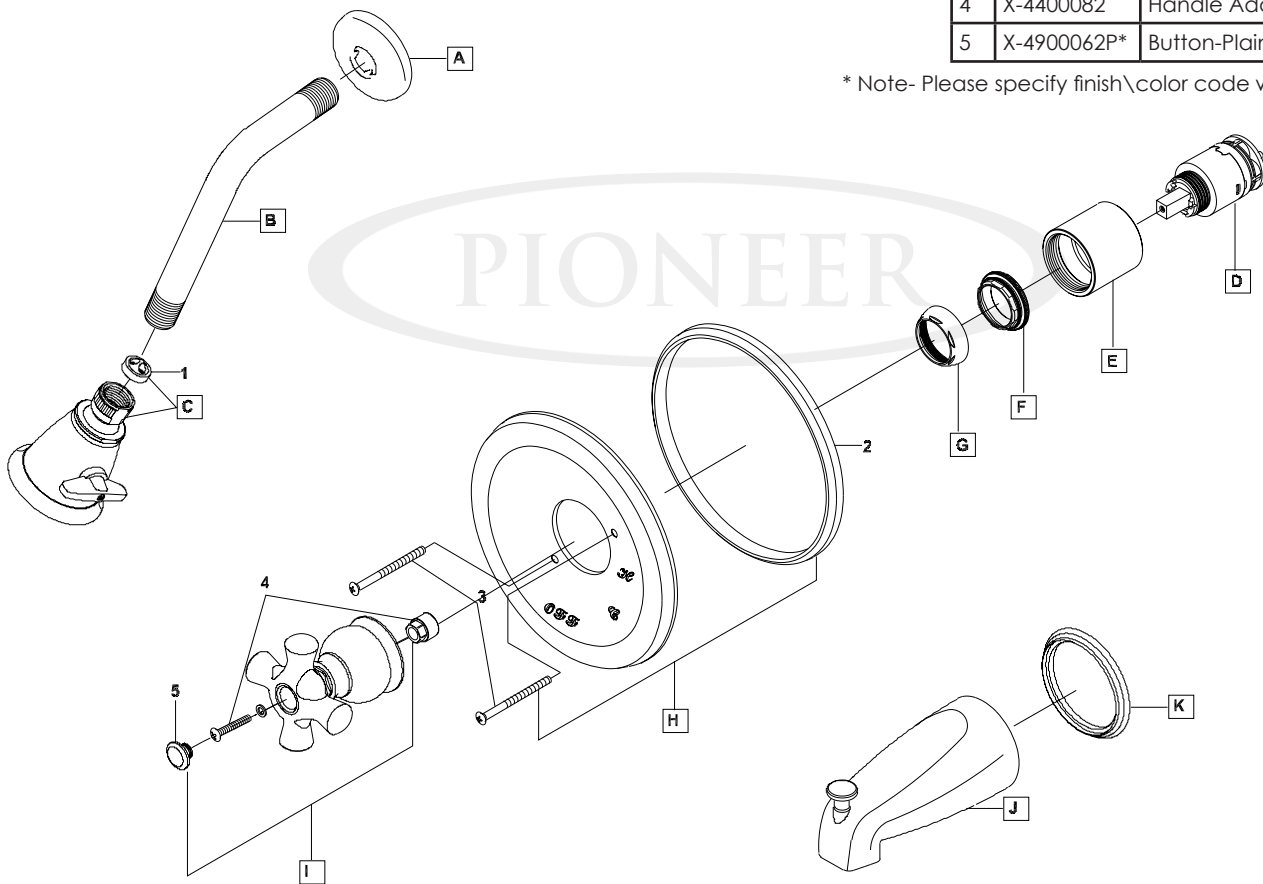


ENGINEERING EXCELLENCE  
 Pioneer: 1-800-338-9468  
 Commerce, CA 90040  
 www.pioneerind.com  
 Pioneer Industries, Inc. © 2013

DMPB4BR120T/REV. 12 2012  
 Page 1 of 2

|   | ITEM#       | DESCRIPTION            |
|---|-------------|------------------------|
| A | X-6400015*  | Shower Arm Flange      |
| B | X-6400002*  | Shower Arm             |
| C | X-6400014*  | Showerhead             |
| D | X-3400007   | Ceramic Disc Cartridge |
| E | X-4400030*  | Sleeve                 |
| F | X-4400080   | Lock Nut               |
| G | X-4200001*  | Retainer Cap           |
| H | X-6400061*  | Face Plate             |
| I | X-1400032*  | Porcelain Cross Handle |
| J | X-6400016*  | Diverter Tub Spout     |
| K | X-4400002*  | Spout Escutcheon       |
| 1 | X-4400054   | Showerhead Restrictor  |
| 2 | X-4400057   | Rubber Gasket          |
| 3 | X-4400062*  | Face Plate Screws      |
| 4 | X-4400082   | Handle Adapter         |
| 5 | X-4900062P* | Button-Plain           |

\* Note- Please specify finish\color code while ordering.



Product Diagram

