



ENGINEERING EXCELLENCE

Bellaire Series #4BL610T

PARTS BREAKDOWN SHEET

DESCRIPTION

- Two Handle Roman Tub Trim Set
- Metal Lever Handles
- Rigid C Style Spout
- 9-1/4" Reach
- 3-Hole 8" to 16" Installation

FINISHES

- PC PVD Polished Chrome
- BN PVD Brushed Nickel
- ORB Oil Rubbed Bronze
- SS PVD Stainless Steel
- PN PVD Polished Nickel
- PB PVD Polished Brass



#4BL610T SHOWN \* ADA



STANDARDS APPLICABLE

- ASME A112.18.1
- ANSI A117.1
- CUPC / IAPMO LISTED / ADA COMPLIANT

Model #: \_\_\_\_\_

Specific Features: \_\_\_\_\_

Project Name: \_\_\_\_\_

Submitted For: \_\_\_\_\_

Model	Description	Finishes
#4BL610T	Two Handle Roman Tub Trim Set	<input type="checkbox"/> PC <input type="checkbox"/> Other__
Required Valve		
#4300B	Two Handle Roman Tub Valve Set	<input type="checkbox"/> N/A



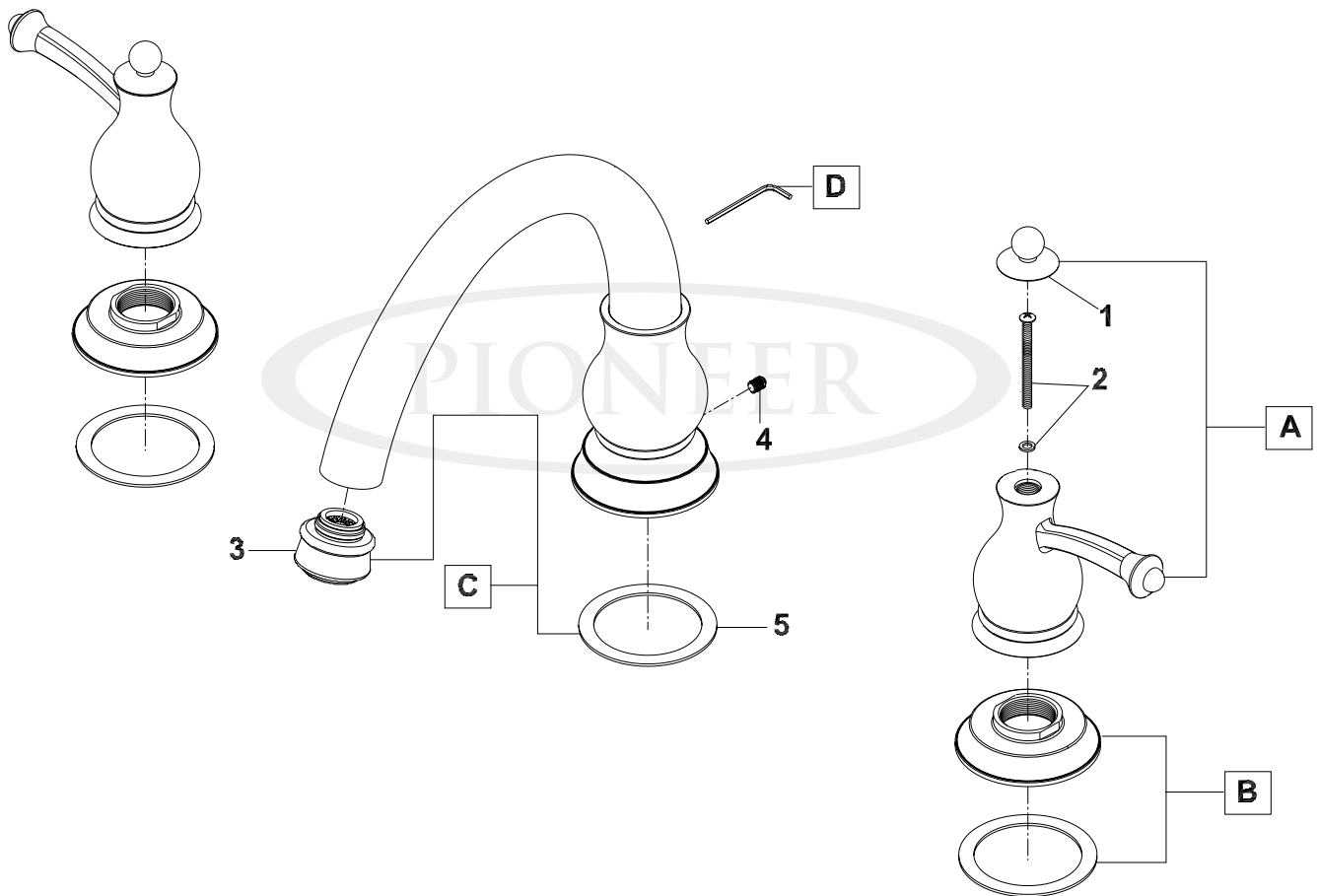
ENGINEERING EXCELLENCE

Pioneer: 1-800-338-9468  
 Commerce, CA 90040  
 www.pioneerind.com  
 Pioneer Industries, Inc. © 2012

DMPB4BL610T/REV. 04 2012  
 Page 1 of 2

	ITEM#	DESCRIPTION
A	X-1400040*	Bellaire Lever Handle
B	X-4400093*	Valve Escutcheon
C	X-2400015*	Bellaire Spout
D	X-4900026	1/8" Allen Wrench
1	X-4900110*	Hole Cover
2	X-4400094	Handle Screw
3	X-4400095*	Flow Streamer
4	X-4400018	Allen Screw
5	X-4400097	Washer

\* Note- Please specify finish/color code while ordering.



Product Diagram



ENGINEERING EXCELLENCE

Pioneer: 1-800-338-9468  
 Commerce, CA 90040  
 www.pioneerind.com  
 Pioneer Industries, Inc. © 2012