



# ENGINEERING EXCELLENCE

Prenza Series #3PR100

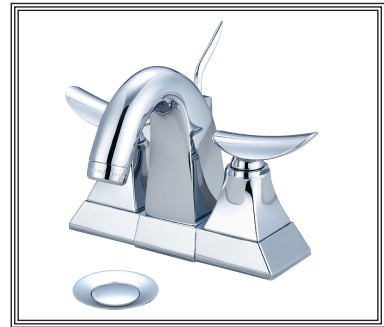
PARTS BREAKDOWN SHEET

### DESCRIPTION

- Two Handle Lavatory Faucet
- Metal Lever Handles
- 3-3/4" Reach, 2-7/8" from Deck to Aerator
- Ceramic Disc Cartridges
- 3-Hole 4" Installation
- Brass Pop-Up Drain Assembly

### FINISHES

- PC PVD Polished Chrome
- BN PVD Brushed Nickel
- SS PVD Stainless Steel
- PN PVD Polished Nickel



#3PR100 SHOWN \* ADA 

### STANDARDS APPLICABLE

- ASME A112.18.1
- ANSI A117.1
- ANSI / NSF 61, SECTION 9
- CUPC / IAPMO LISTED / ADA COMPLIANT
- CONTAINS NO MORE THAN 0.25% WEIGHTED AVERAGE LEAD CONTENT

### FLOW

- Aerator Limited to 1.5 GPM



Model #: \_\_\_\_\_

Specific Features: \_\_\_\_\_

Project Name: \_\_\_\_\_

Submitted For: \_\_\_\_\_

Model	Description	Finishes	
#3PR100	Two Handle Lavatory Faucet	<input type="checkbox"/> PC	<input type="checkbox"/> Other__



ENGINEERING EXCELLENCE

Pioneer:1-800-338-9468  
 Commerce, CA 90040  
 www.pioneerind.com  
 Pioneer Industries, Inc. © 2013

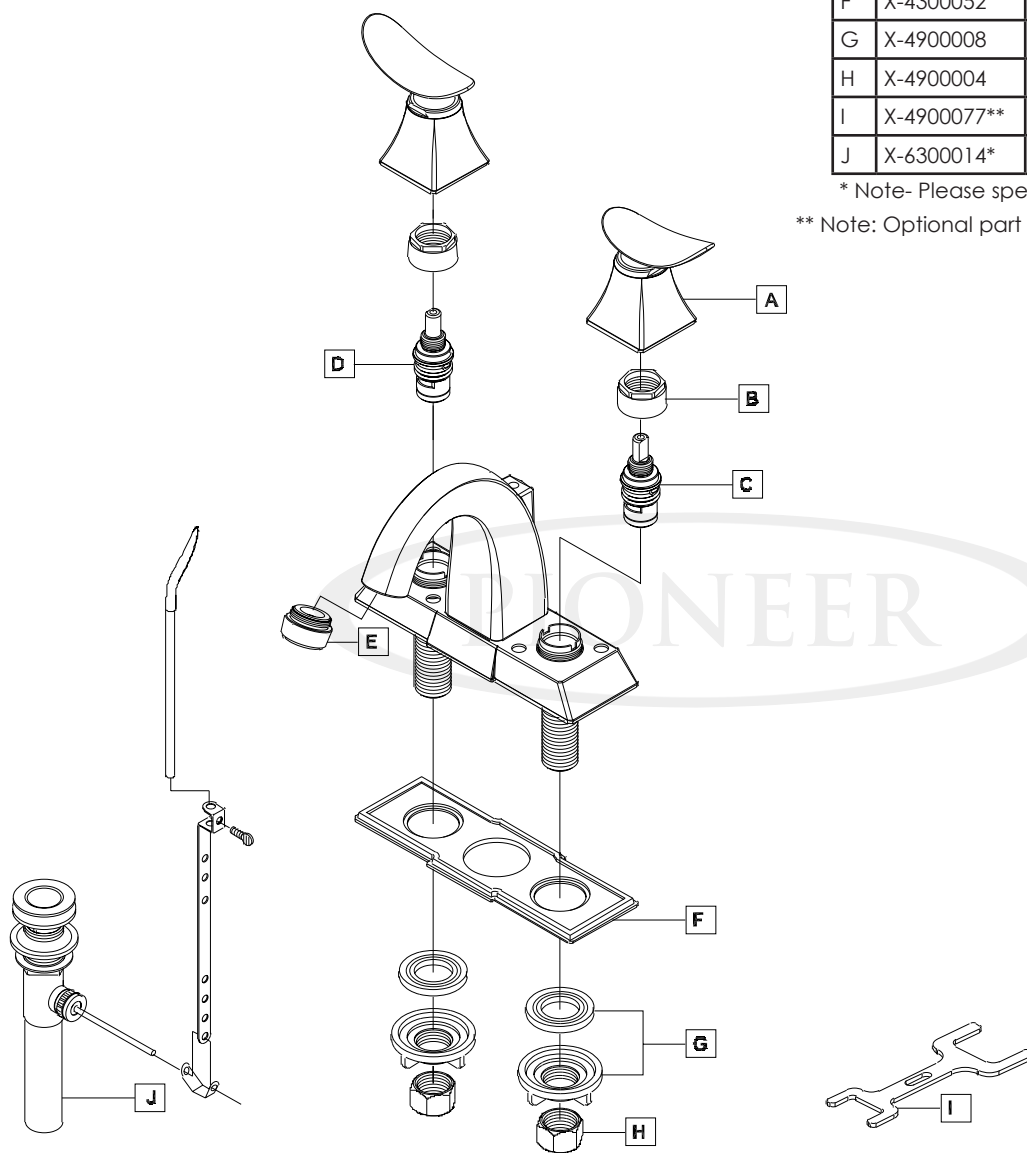
DMPB3PR100/REV. 12 2012

Page 1 of 2

	ITEM#	DESCRIPTION
A	X-1300014*	Prenza Lavatory Handle
B	X-4900037	Bonnet Nut
C	X-3900004C	Ceramic Stem - Cold
D	X-3900004H	Ceramic Stem - Hot
E	X-4300055*	1.5 GPM Aerator
F	X-4300052	Base Gasket
G	X-4900008	Mounting Kit
H	X-4900004	Supply Nut
I	X-4900077**	Handle Removal Tool
J	X-6300014*	Brass Pop-Up Drain Assembly

\* Note- Please specify finish/color code while ordering.

\*\* Note: Optional part which can be purchased separately.



Product Diagram



ENGINEERING EXCELLENCE

Pioneer:1-800-338-9468  
 Commerce, CA 90040  
 www.pioneerind.com  
 Pioneer Industries, Inc. © 2013