



ENGINEERING EXCELLENCE

Premium Series #3PM160

PARTS BREAKDOWN SHEET

DESCRIPTION

- Single Handle Lavatory Faucet
- Premium Lever Handle
- 4-3/8" Reach, 1-3/4" From Deck to Aerator
- Ceramic Disc Cartridge with Temperature Limit Stop
- 3-Hole 4" Installation
- Brass Pop-Up Drain Assembly

FINISHES

- PC PVD Polished Chrome
- BN PVD Brushed Nickel

FLOW

- Aerator Limited to 2.0 gpm



#3PM160 SHOWN * ADA 

STANDARDS APPLICABLE

- ASME A112.18.1
- ANSI A117.1
- ANSI / NSF 61, SECTION 9
- CUPC / IAPMO LISTED / ADA COMPLIANT
- CONTAINS NO MORE THAN 0.25% WEIGHTED AVERAGE LEAD CONTENT

Model #: _____

Specific Features: _____

Project Name: _____

Submitted For: _____

Model	Description	Finishes	
#3PM160	Single Handle Lavatory Faucet	PC	Other__



ENGINEERING EXCELLENCE

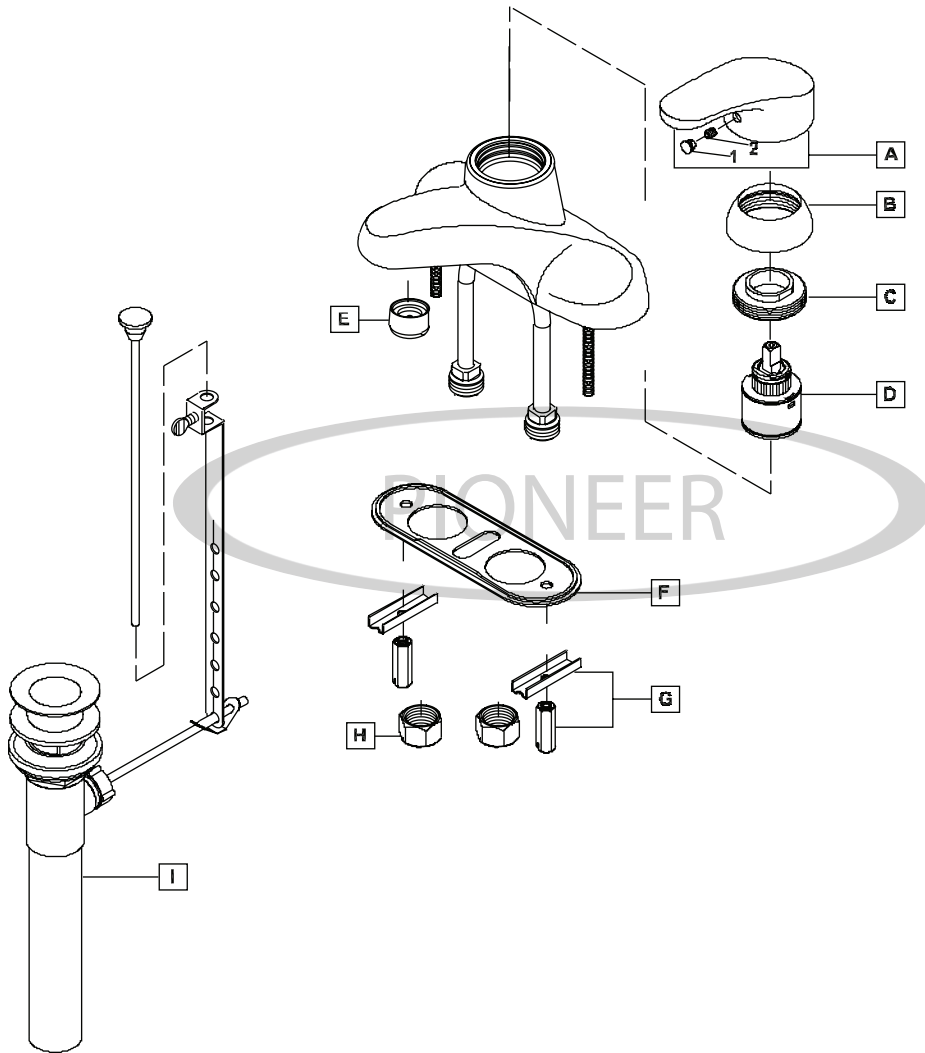
Pioneer: 1-800-338-9468
 Commerce, CA 90040
 www.pioneerind.com
 Pioneer Industries, Inc. © 2009

DMPB3PM160/REV. 12 2009

Page 1 of 2

	ITEM#	DESCRIPTION
A	X-1900006*	Premium Lever Handle
B	X-4300012*	Premium Retainer Cap
C	X-4900028	Retainer Nut
D	X-3900001	Ceramic Disc Cartridge
E	X-4900016*	2.0 GPM Aerator
F	X-4300014	Base Plate
G	X-5300004	Mounting Kit
H	X-4900004	Supply Nut
I	X-6300004*	Pop-Up
1	X-4900027	Handle Hole Cover
2	X-4900002	Handle Allen Screw

* Note- Please specify finish/color code while ordering.



Product Diagram



ENGINEERING EXCELLENCE

Pioneer: 1-800-338-9468
 Commerce, CA 90040
 www.pioneerind.com
 Pioneer Industries, Inc. © 2009