



ENGINEERING EXCELLENCE

Caesar Collection #3CS800

PARTS BREAKDOWN SHEET

DESCRIPTION

- Single Handle Lavatory Wall Mount Vessel Filler
- Metal Lever Handle
- Rigid Spout
- 7-1/4" Reach
- Ceramic Disc Cartridge with Temperature Limit Stop
- 2-Hole 4" Installation

FINISHES

- PC PVD Polished Chrome
- BN PVD Brushed Nickel
- SS PVD Stainless Steel
- PN PVD Polished Nickel
- GR PVD Golden Rose



#3CS800 SHOWN * ADA 

STANDARDS APPLICABLE

- ASME A112.18.1
- ANSI A117.1
- ANSI / NSF 61, SECTION 9
- CUPC / IAPMO LISTED / ADA COMPLIANT
- CONTAINS NO MORE THAN 0.25% WEIGHTED AVERAGE LEAD CONTENT

FLOW

- Aerator Limited to 1.5 GPM

Model #: _____

Specific Features: _____

Project Name: _____

Submitted For: _____

Model	Description	Finishes	
#3CS800	Single Handle Lavatory Wall Mount Vessel Filler	<input type="checkbox"/> PC	<input type="checkbox"/> Other__



ENGINEERING EXCELLENCE

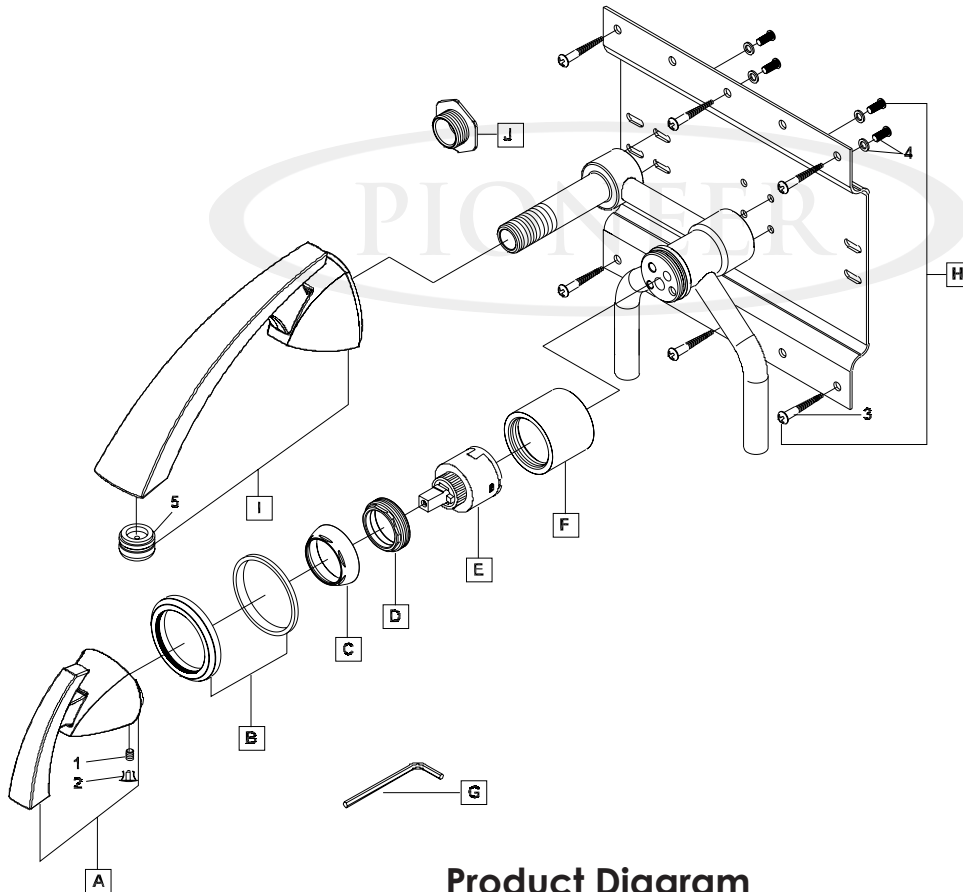
Pioneer: 1-800-338-9468
 Commerce, CA 90040
 www.pioneerind.com
 Pioneer Industries, Inc. © 2013

DMPB3CS800/REV. 12 2012

Page 1 of 2

	ITEM#	DESCRIPTION
A	X-1900016*	Caesar Handle
B	X-4300070*	Handle Escutcheon
C	X-4900058*	Retainer Sleeve
D	X-4900018	Retainer Nut
E	X-3300003	Ceramic Disc Cartridge
F	X-4200091*	Sleeve
G	X-4900024	3/32" Allen Key
H	X-4900054	Mounting Bracket With Screws
I	X-2300013*	Caesar Wall Mount Spout
J	X-4300073	Mounting Tool
1	X-4400024	3/32" Allen Screw
2	X-4900044*	Hole Cover
3	X-4900055	Mounting Screw
4	X-4900056	Mounting Screw & Washer
5	X-4900107*	1.5 GPM Flow Rate Laminar Aerator

* Note: Please specify finish/color when ordering.



ENGINEERING EXCELLENCE

Pioneer: 1-800-338-9468
 Commerce, CA 90040
 www.pioneerind.com
 Pioneer Industries, Inc. © 2013