



ENGINEERING EXCELLENCE

Premium Series #2PM220

PARTS BREAKDOWN SHEET

DESCRIPTION

- Single Handle Pullout Kitchen Faucet
- Premium Loop Handle
- Premium Series Pullout Head with 2 Spray Patterns
- 8-3/4" Reach, 5" from Deck to Aerator
- Ceramic Disc Cartridge with Temperature Limit Stop
- 1 or 3 Hole 8" Installation
- Integral Vacuum Breaker
- SS Flex Connectors

FINISHES

- PC PVD Polished Chrome
- SS PVD Stainless Steel
- BN PVD Brushed Nickel

FLOW

- Aerator Limited to 2.0 gpm



#2PM220 SHOWN * ADA 

STANDARDS APPLICABLE

- ASME A112.18.1
- ANSI A117.1
- ANSI / NSF 61, SECTION 9
- CUPC / IAPMO LISTED / ADA COMPLIANT
- CONTAINS NO MORE THAN 0.25% WEIGHTED AVERAGE LEAD CONTENT

Model #: _____

Specific Features: _____

Project Name: _____

Submitted For: _____

Model	Description	Finishes	
#2PM220	Single Handle Pullout Faucet	PC	Other____



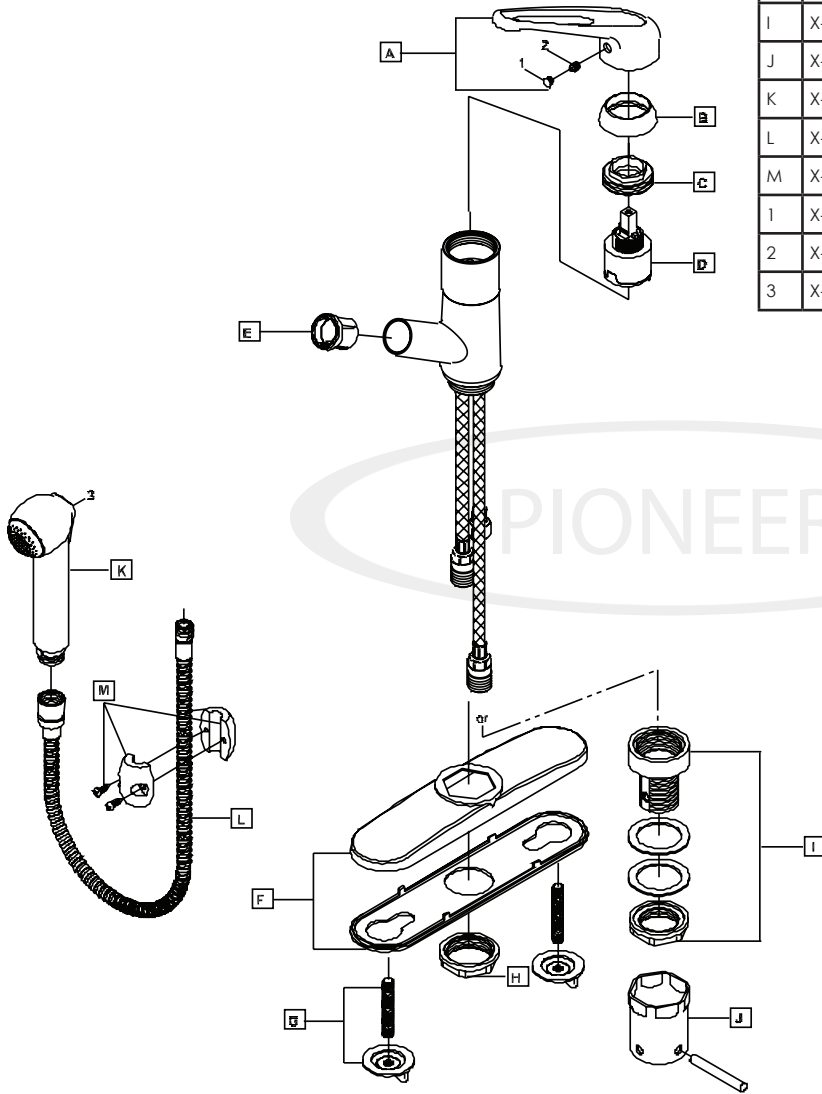
ENGINEERING EXCELLENCE

Pioneer:1-800-338-9468
 Commerce, CA 90040
 www.pioneerind.com
 Pioneer Industries, Inc. © 2009

DMPB2PM220/REV. 12 2009
 Page 1 of 2

ITEM#	DESCRIPTION
A	X-1200003* Premium Loop Handle
B	X-4200034* Retainer Cap
C	X-4200035 Retainer Nut
D	X-3200001 Ceramic Disc Cartridge
E	X-4200037 Hose Support
F	X-4200036* Deck Plate
G	X-5200006 Mounting Kit
H	X-5200007 Three Hole Installation Locknut
I	X-5200004* Single Hole Installation Mounting Assembly
J	X-5200005 Tool
K	X-4200038* Spray Head
L	X-4200040 Sprat Head Hose
M	X-4200041 Weight
1	X-4900027 Hole Cover
2	X-4900002 Allen Screw
3	X-4200039 Spray Head Button

* Note- Please specify finish/color code while ordering.



Product Diagram

