



# ENGINEERING EXCELLENCE

Motegi Series #2MT330

PARTS BREAKDOWN SHEET

### DESCRIPTION

- Single Handle Kitchen Faucet
- Metal Lever Handles
- Gooseneck Spout Swivel 360°
- 7-5/8" Reach, 7" from Deck to Aerator
- Ceramic Disc Cartridge with Temperature Limit Stop
- 2-Hole 4" to 6" Installation

### FINISHES

- PC PVD Polished Chrome
- BN PVD Brushed Nickel
- SS PVD Stainless Steel
- PN PVD Polished Nickel
- PB PVD Polished Brass



#2MT330 SHOWN \* ADA 

### STANDARDS APPLICABLE

- ASME A112.18.1
- ANSI A117.1
- ANSI / NSF 61, SECTION 9
- CUPC / IAPMO LISTED / ADA COMPLIANT
- CONTAINS NO MORE THAN 0.25% WEIGHTED AVERAGE LEAD CONTENT

### FLOW

- Aerator Limited to 1.5 GPM

Model #: \_\_\_\_\_

Specific Features: \_\_\_\_\_

Project Name: \_\_\_\_\_

Submitted For: \_\_\_\_\_

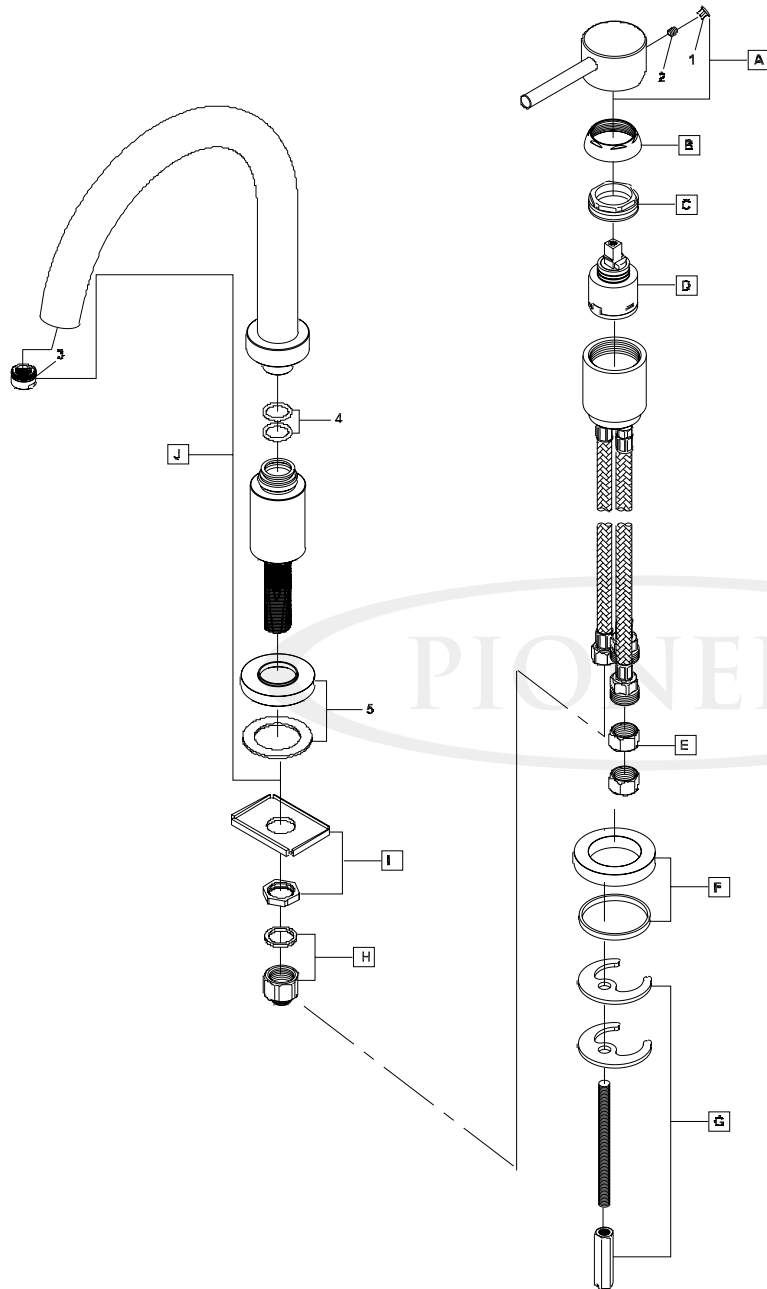
Model	Description	Finishes	
#2MT330	Single Handle Kitchen Faucet	<input type="checkbox"/> PC	<input type="checkbox"/> Other__



ENGINEERING EXCELLENCE

Pioneer:1-800-338-9468  
 Commerce, CA 90040  
 www.pioneerind.com  
 Pioneer Industries, Inc. © 2013

DMPB2MT330/REV. 12 2012  
 Page 1 of 2



	ITEM#	DESCRIPTION
A	X-1900008*	Motegi Lever Handle
B	X-4900017*	Retainer Sleeve
C	X-4900018	Retainer Nut
D	X-3900001	Ceramic Cartridge
E	X-4900004	Supply Nut
F	X-4200092*	Valve Escutcheon
G	X-5900002	Mounting Kit
H	X-4200138	Spout Adapter
I	X-5200003	Spout Mounting Kit
J	X-2200017*	Gooseneck Spout
1	X-4900044*	Hole Cover
2	X-4400024	Allen Screw
3	X-4900089*	1.5 GPM Aerator
4	X-4900012	Spout O-Ring
5	X-4200071*	Spout Escutcheon

\* Note: Please specify finish/color when ordering.

Product Diagram



ENGINEERING EXCELLENCE

Pioneer: 1-800-338-9468  
 Commerce, CA 90040  
 www.pioneerind.com  
 Pioneer Industries, Inc. © 2013