



ENGINEERING EXCELLENCE

Motegi Series #2MT210

PARTS BREAKDOWN SHEET

DESCRIPTION

- Two Handle Kitchen Wide-spread Faucet
- Metal Lever Handles
- Spout Swivel 360°
- 8-3/4" Reach, 8-1/2" from Deck To Aerator
- Ceramic Disc Cartridge
- 3-Hole 6" to 16" Installation

FINISHES

- PC PVD Polished Chrome
- BN PVD Brushed Nickel
- SS PVD Stainless Steel
- PN PVD Polished Nickel
- PB PVD Polished Brass



#2MT210 SHOWN * ADA 

STANDARDS APPLICABLE

- ASME A112.18.1
- ANSI A117.1
- ANSI / NSF 61, SECTION 9
- CUPC / IAPMO LISTED / ADA COMPLIANT
- CONTAINS NO MORE THAN 0.25% WEIGHTED AVERAGE LEAD CONTENT

FLOW

- Aerator Limited to 1.5 GPM

Model #: _____

Specific Features: _____

Project Name: _____

Submitted For: _____

Model	Description	Finishes	
#2MT210	Two Handle Kitchen Widespread Faucet	<input type="checkbox"/> PC	<input type="checkbox"/> Other__



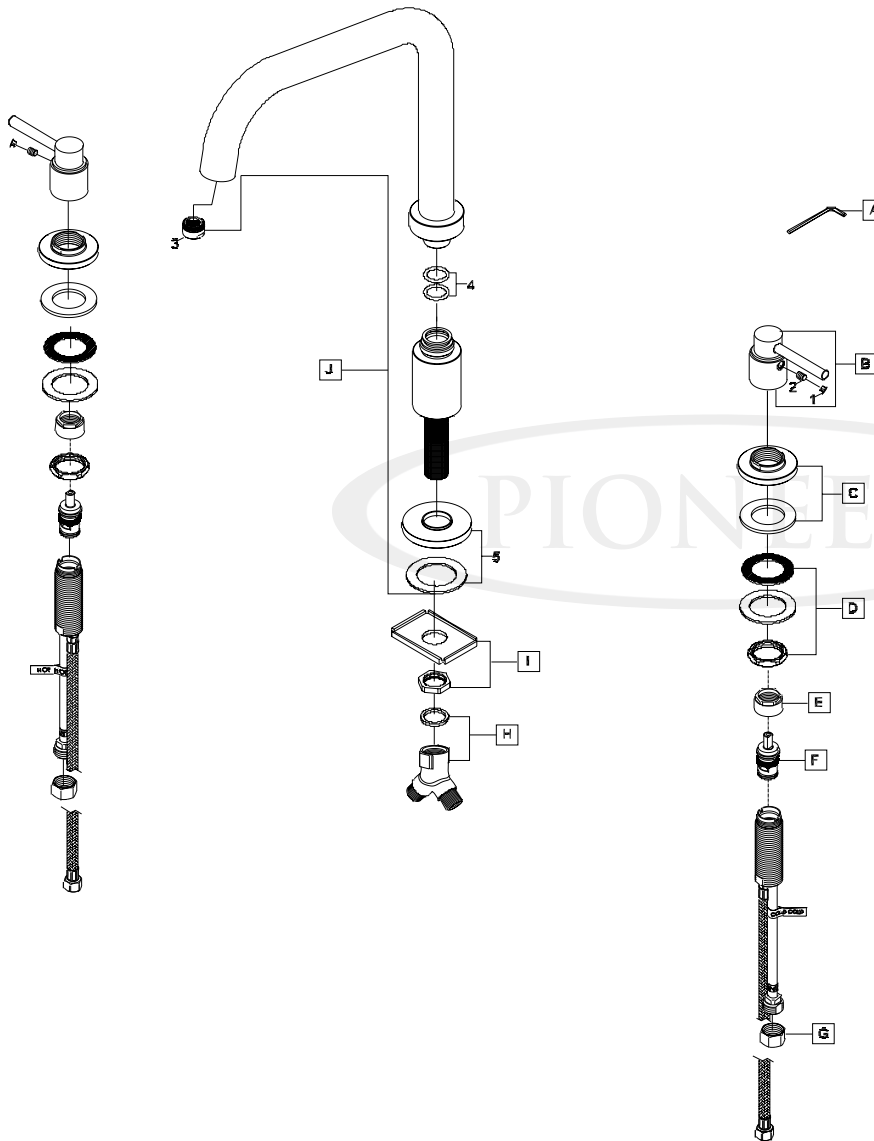
ENGINEERING EXCELLENCE

Pioneer:1-800-338-9468
 Commerce, CA 90040
 www.pioneerind.com
 Pioneer Industries, Inc. © 2013

DMPB2MT210/REV. 12 2012
 Page 1 of 2

	ITEM#	DESCRIPTION
A	X-4900024	3/32" Allen Wrench
B	X-1200011*	Motegi Lever Handle
C	X-4200068*	Valve Escutcheon
D	X-5900001	Valve Mounting Kit
E	X-4900022	Bonnet Nut
F	X-3900002C,H	Ceramic Cartridge-Cold,Hot
G	X-4900004	Supply Nut
H	X-4900020	'Y' Connector
I	X-5200003	Spout Mounting Kit
J	X-2200015*	Motegi Spout
1	X-4900044*	Hole Cover
2	X-4900002	3/32" Allen Screw
3	X-4900089*	1.5 GPM Aerator
4	X-4900012	Spout O-Ring
5	X-4200069*	Spout Escutcheon

* Note: Please specify finish/color when ordering.



Product Diagram



ENGINEERING EXCELLENCE

Pioneer:1-800-338-9468
 Commerce, CA 90040
 www.pioneerind.com
 Pioneer Industries, Inc. © 2013