



## ENGINEERING EXCELLENCE

Legacy Series #2LG250

PARTS BREAKDOWN SHEET

### DESCRIPTION

- Single Handle Pull-Down Kitchen Faucet
- Metal Lever Handle
- Pull-Down Head with 2 Spray Patterns Swivel 360°
- 8-1/2" Reach, 8" from Deck to Aerator
- Ceramic Disc Cartridge with Temperature Limit Stop
- 1 or 3 Hole 8" Installation

### FINISHES

- PC PVD Polished Chrome
- BN PVD Brushed Nickel
- SS PVD Stainless Steel
- PB PVD Polished Brass
- ORB Oil Rubbed Bronze



#2LG250 SHOWN \* ADA 

### STANDARDS APPLICABLE

- ASME A112.18.1
- ANSI A117.1
- ANSI / NSF 61, SECTION 9
- CUPC / IAPMO LISTED / ADA COMPLIANT
- CONTAINS NO MORE THAN 0.25% WEIGHTED AVERAGE LEAD CONTENT

### FLOW

- Pull-Down Spray Head Limited to 2.0 GPM

Model #: \_\_\_\_\_

Specific Features: \_\_\_\_\_

Project Name: \_\_\_\_\_

Submitted For: \_\_\_\_\_

Model	Description	Finishes	
#2LG250	Single Handle Pull-Down Kitchen Faucet	<input type="checkbox"/> PC	<input type="checkbox"/> Other____

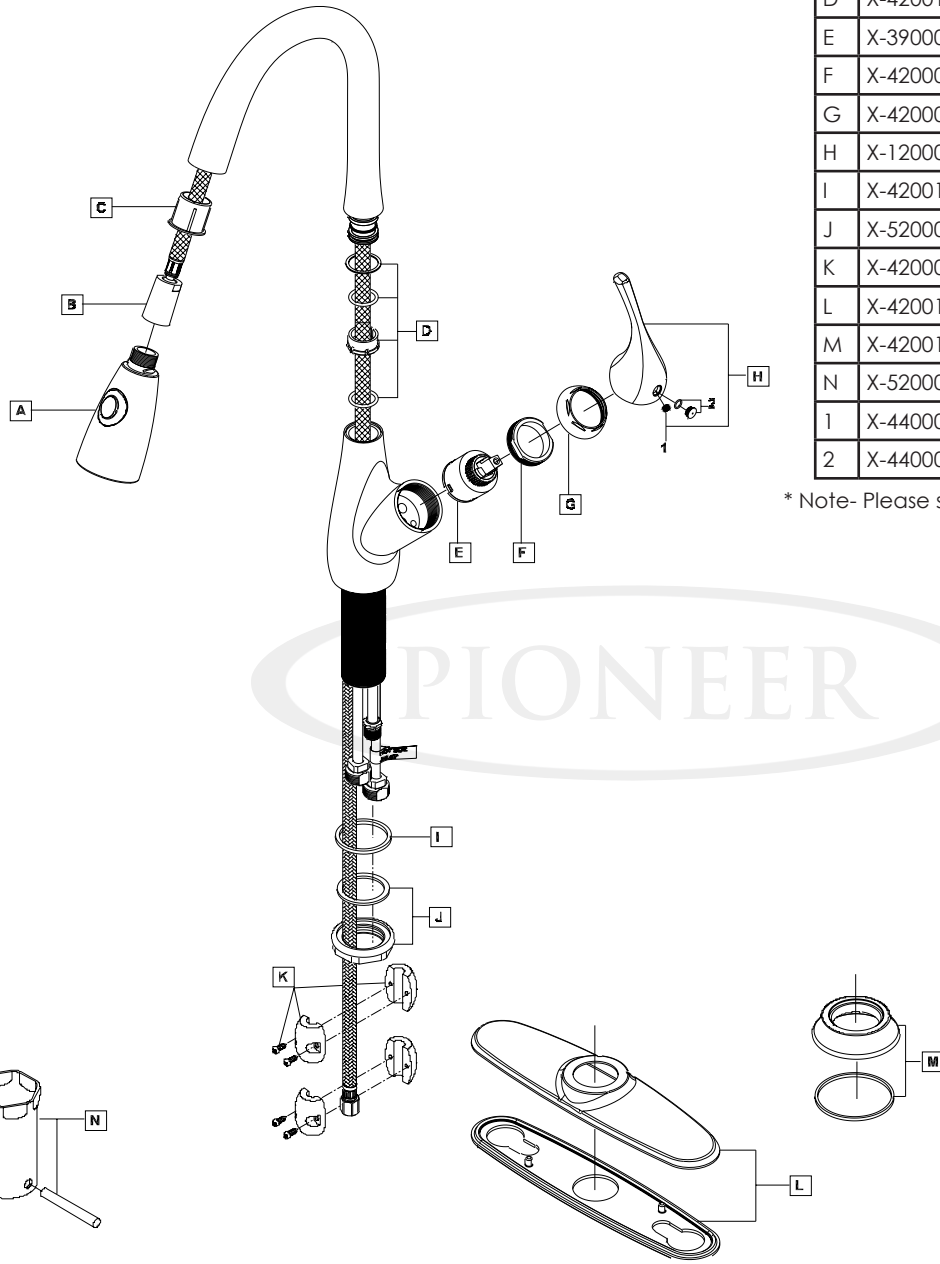


ENGINEERING EXCELLENCE

Pioneer:1-800-338-9468  
 Commerce, CA 90040  
 www.pioneerind.com  
 Pioneer Industries, Inc. © 2013

DMPB2LG250/REV. 12 2012

Page 1 of 2



	ITEM#	DESCRIPTION
A	X-4200089*	Pull-Down Spray Head
B	X-4200111*	Spray Hose
C	X-4200148	Spray Head Support
D	X-4200112	Spout Repair Kit
E	X-3900001	Ceramic Disc Cartridge
F	X-4200002	Retainer Nut
G	X-4200001*	Retainer Sleeve
H	X-1200016*	Lever Handle
I	X-4200113	Washer
J	X-5200019	Mounting Kit
K	X-4200041	Weight
L	X-4200169*	Deck Plate
M	X-4200152*	Escutcheon
N	X-5200020	Mounting Tool
1	X-4400024	Allen Screw
2	X-4400073*	Hole Cover

\* Note- Please specify finish/color code while ordering.

Product Diagram



ENGINEERING EXCELLENCE

Pioneer: 1-800-338-9468  
 Commerce, CA 90040  
 www.pioneerind.com  
 Pioneer Industries, Inc. © 2013