



# ENGINEERING EXCELLENCE

## Caesar Collection #2CS201

## PARTS BREAKDOWN SHEET

### DESCRIPTION

- Two Handle Kitchen Wide-spread Faucet
- Metal Lever Handles
- Spout Swivel 360°
- 9" Reach, 7-7/8" from Deck to Aerator
- Ceramic Disc Cartridges
- 4-Hole 6" to 16" Installation
- Side Spray Assembly

### FINISHES

- PC PVD Polished Chrome
- BN PVD Brushed Nickel
- SS PVD Stainless Steel
- PN PVD Polished Nickel
- GR PVD Golden Rose



#2CS201 SHOWN \* ADA 

### STANDARDS APPLICABLE

- ASME A112.18.1
- ANSI A117.1
- ANSI / NSF 61, SECTION 9
- CUPC / IAPMO LISTED / ADA COMPLIANT
- CONTAINS NO MORE THAN 0.25% WEIGHTED AVERAGE LEAD CONTENT

### FLOW

- Aerator Limited to 1.5 GPM

Model #: \_\_\_\_\_

Specific Features: \_\_\_\_\_

Project Name: \_\_\_\_\_

Submitted For: \_\_\_\_\_

Model	Description	Finishes	
#2CS201	Two Handle Kitchen Widespread Faucet	<input type="checkbox"/> PC	<input type="checkbox"/> Other__



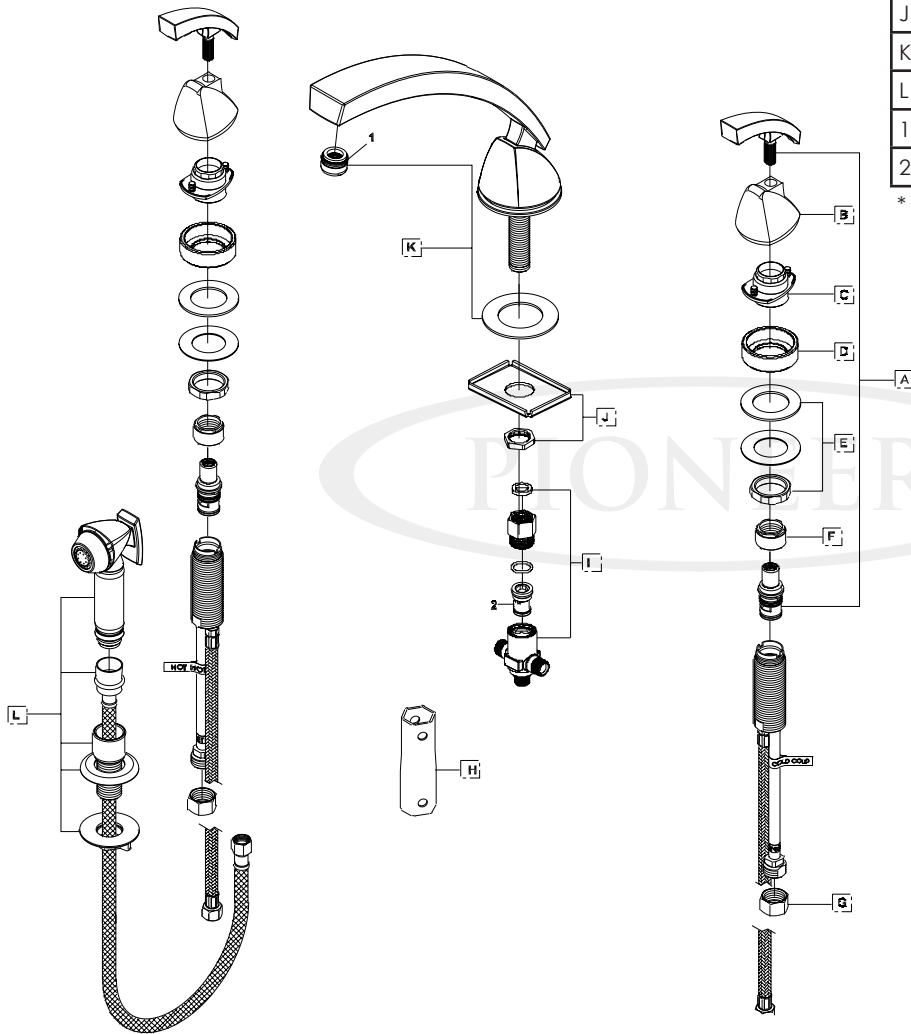
ENGINEERING EXCELLENCE

Pioneer: 1-800-338-9468  
 Commerce, CA 90040  
 www.pioneerind.com  
 Pioneer Industries, Inc. © 2013

DMPB2CS201/REV. 12 2012  
 Page 1 of 2

	ITEM#	DESCRIPTION
A	X-1900017C,H*	Handle and Stem-Cold, Hot
B	X-4900100*	Handle Hub
C	X-4900101	Handle Locknut
D	X-4900102	Spacer
E	X-5900001	Valve Mounting Kit
F	X-4900022	Bonnet Nut
G	X-4900004	Supply Nut
H	X-5900006	Mounting Tool
I	X-4200025	Cross Connector
J	X-5200003	Mounting Kit
K	X-2200026*	Caesar Spout
L	X-4200141*	Side Spray Assembly
1	X-4900081*	1.5 GPM Flow Rate Aerator
2	X-4200016	Diverter Piston

\* Note: Please specify finish/color when ordering.



Product Diagram



ENGINEERING EXCELLENCE

Pioneer:1-800-338-9468  
 Commerce, CA 90040  
 www.pioneerind.com  
 Pioneer Industries, Inc. © 2013