



ENGINEERING EXCELLENCE

Calla Collection #2CL331

PARTS BREAKDOWN SHEET

DESCRIPTION

- Single Handle Kitchen Faucet
- Metal Lever Handle
- Spout Swivel 360°
- 6-3/4" Reach, 10-3/8" from Deck to Aerator
- Ceramic Disc Cartridge with Temperature Limit Stop
- 2-Hole 4" to 23" Installation
- Pull-Out Side Spray Assembly

FINISHES

- PC PVD Polished Chrome
- BN PVD Brushed Nickel
- SS PVD Stainless Steel
- PN PVD Polished Nickel



#2CL331 SHOWN * ADA 

STANDARDS APPLICABLE

- ASME A112.18.1
- ANSI A117.1
- ANSI / NSF 61, SECTION 9
- CUPC / IAPMO LISTED / ADA COMPLIANT
- CONTAINS NO MORE THAN 0.25% WEIGHTED AVERAGE LEAD CONTENT

FLOW

- Aerator Limited to 1.5 GPM

Model #: _____

Specific Features: _____

Project Name: _____

Submitted For: _____

Model	Description	Finishes	
#2CL331	Single Handle Kitchen Faucet	<input type="checkbox"/> PC	<input type="checkbox"/> Other__



ENGINEERING EXCELLENCE

Pioneer: 1-800-338-9468

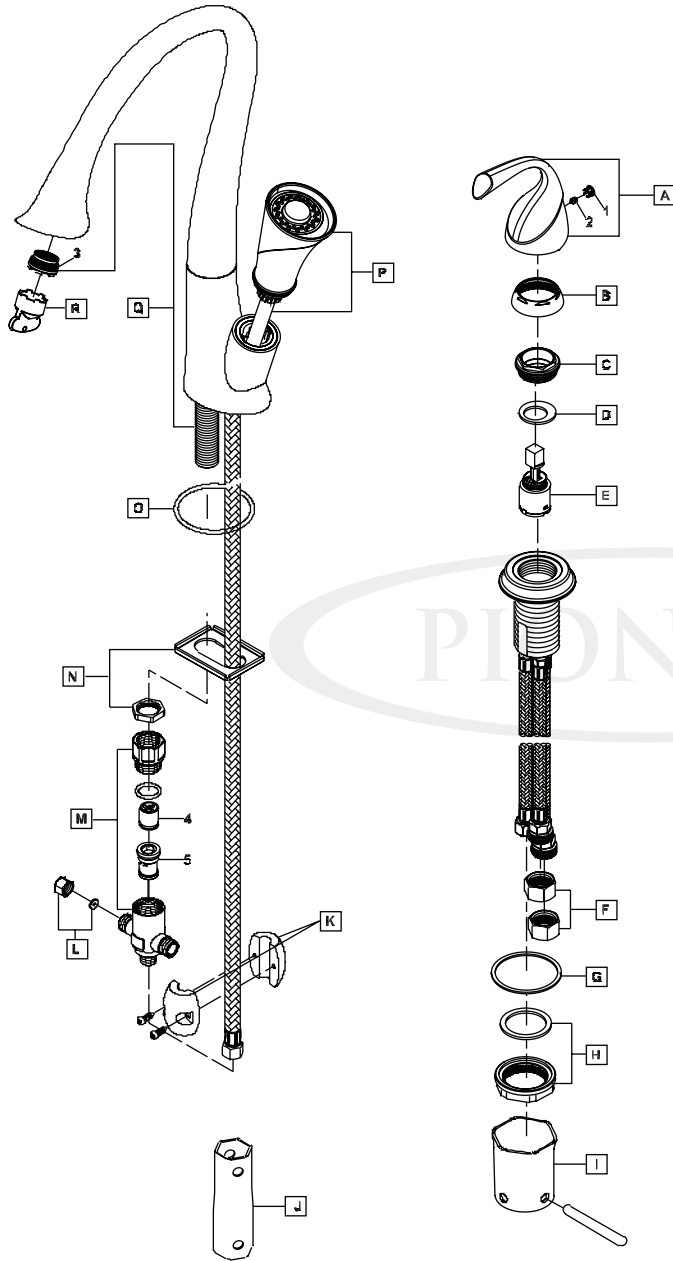
Commerce, CA 90040

www.pioneerind.com

Pioneer Industries, Inc. © 2013

DMPB2CL331/REV. 12 2012

Page 1 of 2



	ITEM#	DESCRIPTION
A	X-1200017*	Calla Handle
B	X-4900058*	Retainer Sleeve
C	X-4200135	Retainer Nut
D	X-4200136	Washer
E	X-3200006	Ceramic Disc Cartridge
F	X-4900004	Supply Nut
G	X-4200137	Rubber Washer
H	X-5200016	Mounting Kit
I	X-5200005	Mounting Tool
J	X-5900006	Mounting Tool
K	X-4200041	Weight
L	X-4200049	Cap and Washer
M	X-4200024	Cross Connector
N	X-5200017	Mounting Kit
O	X-4200142	Washer
P	X-4200143*	Pull-Out Sprayhead
Q	X-2200028*	Calla Spout
R	X-4900099	Aerator Tool
1	X-4900044*	Hole Cover
2	X-4400024	3/32" Allen Screw
3	X-4900098	1.5 GPM Aerator
4	X-4200026	Check Valve
5	X-4200016	Diverter Piston

* Note: Please specify finish/color when ordering.

Product Diagram



ENGINEERING EXCELLENCE

Pioneer: 1-800-338-9468

Commerce, CA 90040

www.pioneerind.com

Pioneer Industries, Inc. © 2013