



ENGINEERING EXCELLENCE

Cabrillo Series #2CB201

PARTS BREAKDOWN SHEET

DESCRIPTION

- Two Handle Kitchen Wide-spread Faucet
- Metal Handles
- Hi-Arc Gooseneck Spout Swivel 360°
- 8-1/16" Reach, 7" from Deck to Aerator
- Ceramic Disc Cartridges
- 4-Hole 6" to 16" Installation
- Side Spray Assembly

FINISHES

- PC PVD Polished Chrome
- BN PVD Brushed Nickel
- SS PVD Stainless Steel
- PN PVD Polished Nickel



#2CB201 SHOWN * ADA 

STANDARDS APPLICABLE

- ASME A112.18.1
- ANSI A117.1
- ANSI / NSF 61, SECTION 9
- CUPC / IAPMO LISTED / ADA COMPLIANT
- CONTAINS NO MORE THAN 0.25% WEIGHTED AVERAGE LEAD CONTENT

FLOW

- Aerator Limited to 1.5 GPM

Model #: _____

Specific Features: _____

Project Name: _____

Submitted For: _____

Model	Description	Finishes	
#2CB201	Two Handle Kitchen Widespread Faucet	<input type="checkbox"/> PC	<input type="checkbox"/> Other__



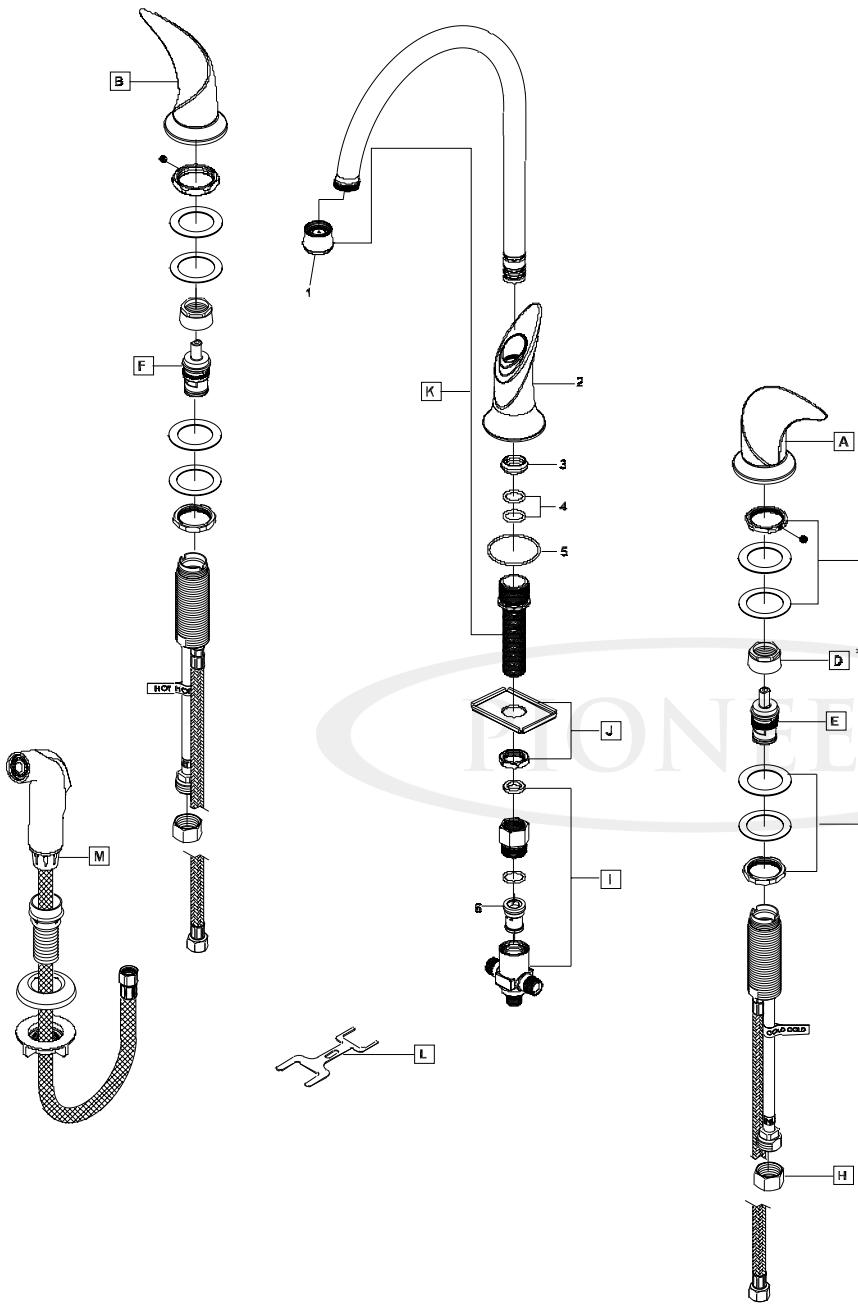
ENGINEERING EXCELLENCE

Pioneer:1-800-338-9468
 Commerce, CA 90040
 www.pioneerind.com
 Pioneer Industries, Inc. © 2013

DMPB2CB201/REV. 12 2012
 Page 1 of 2

	ITEM#	DESCRIPTION
A	X-1900015C*	Cabrillo Handle-Cold
B	X-1900015H*	Cabrillo Handle-Hot
C	X-5900004	Valve Mounting Kit
D	X-4900022	Bonnet Nut
E	X-3900002C	Ceramic Stem - Cold
F	X-3900002H	Ceramic Stem - Hot
G	X-5900005	Valve Mounting Kit
H	X-4900004	Supply Nut
I	X-4200025	Cross Connector
J	X-5200003	Spout Mounting Kit
K	X-2200023*	Spout
L	X-4900078	Mounting Tool
M	X-4200008*	Side Spray Assembly
1	X-4200123*	1.5 GPM Aerator
2	X-4200106*	Spout Sleeve
3	X-4900013	Snap Ring
4	X-4900012	O-Ring
5	X-4200107	Spout Gasket
6	X-4200016	Diverter Piston

* Note- Please specify finish/color code while ordering.



Product Diagram



ENGINEERING EXCELLENCE

Pioneer:1-800-338-9468
 Commerce, CA 90040
 www.pioneerind.com
 Pioneer Industries, Inc. © 2013