



ENGINEERING EXCELLENCE

Brentwood Series #2BR200

PARTS BREAKDOWN SHEET

DESCRIPTION

- Two Handle Kitchen Wide-spread Faucet
- Metal Lever Handles
- Hi-Arc Gooseneck Spout Swivel 360°
- 8-1/16" Reach, 7-1/8" from Deck to Aerator
- Ceramic Disc Cartridges
- 3-Hole 6" to 16" Installation

FINISHES

- PC PVD Polished Chrome
- BN PVD Brushed Nickel
- PN PVD Polished Nickel
- PB PVD Polished Brass
- ORB Oil Rubbed Bronze



#2BR200 SHOWN * ADA 

STANDARDS APPLICABLE

- ASME A112.18.1
- ANSI A117.1
- ANSI / NSF 61, SECTION 9
- CUPC / IAPMO LISTED / ADA COMPLIANT
- CONTAINS NO MORE THAN 0.25% WEIGHTED AVERAGE LEAD CONTENT

FLOW

- Aerator Limited to 1.5 GPM

Model #: _____

Specific Features: _____

Project Name: _____

Submitted For: _____

Model	Description	Finishes	
#2BR200	Two Handle Kitchen Widespread Faucet	<input type="checkbox"/> PC	<input type="checkbox"/> Other ____

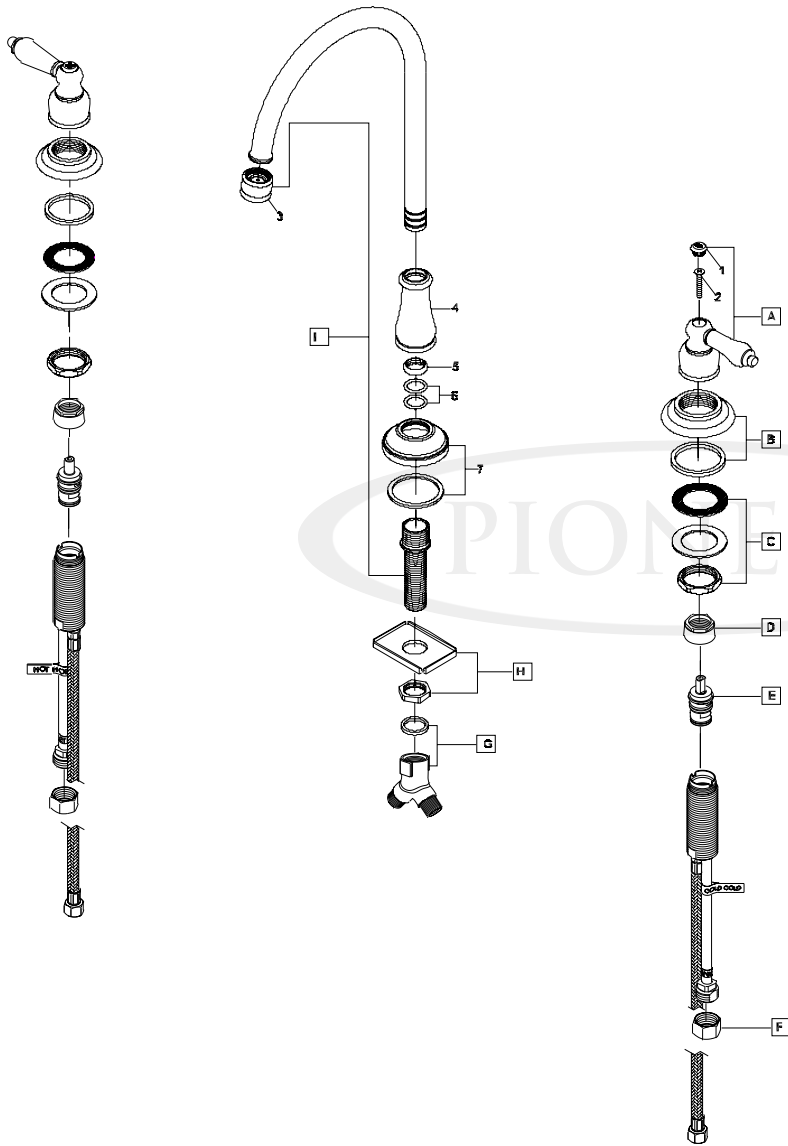


ENGINEERING EXCELLENCE

Pioneer: 1-800-338-9468
 Commerce, CA 90040
 www.pioneerind.com
 Pioneer Industries, Inc. © 2013

DMPB2BR200/REV. 12 2012

Page 1 of 2



	ITEM#	DESCRIPTION
A	X-1900009C,H*	Lever Handle-Cold,Hot
B	X-4900063*	Valve Escutcheon
C	X-5900001	Mounting Kit
D	X-4900022	Bonnet Nut
E	X-3900002C,H	Ceramic Disc Cartridge-Cold,Hot
F	X-4900004	Supply Nut
G	X-4900020	'Y' Connector
H	X-5200003	Spout Mounting Kit
I	X-2200020*	Gooseneck Spout
1	X-4900042C,H*	Button-Cold,Hot
2	X-4900061	Brentwood Handle Screw
3	X-4200129*	1.5 GPM Aerator
4	X-4200077*	Spout Bonnet Nut
5	X-4900013	Spout Snap Ring
6	X-4900012	Spout O-Ring
7	X-4200078*	Spout Escutcheon

* Note- Please Specify finish\color code while ordering.

Product Diagram



ENGINEERING EXCELLENCE

Pioneer:1-800-338-9468
 Commerce, CA 90040
 www.pioneerind.com
 Pioneer Industries, Inc. © 2013