



# ENGINEERING EXCELLENCE

Legacy Series #X-6400042

SPECIFICATION SHEET

### DESCRIPTION

- Four Spray Pattern Shower-head
- Rub-Clean Anti-Scale Spray
- Brass Ball Swivel Joint
- 3-3/8" Face

### FINISHES

- PC PVD Polished Chrome
- BN PVD Brushed Nickel



#X-6400042 SHOWN

### STANDARDS APPLICABLE

- ASME A112.18.1

### FLOW

- Showerhead Limited to 1.75 GPM Maximum @ 80 PSI

Model #: \_\_\_\_\_

Specific Features: \_\_\_\_\_

Project Name: \_\_\_\_\_

Submitted For: \_\_\_\_\_

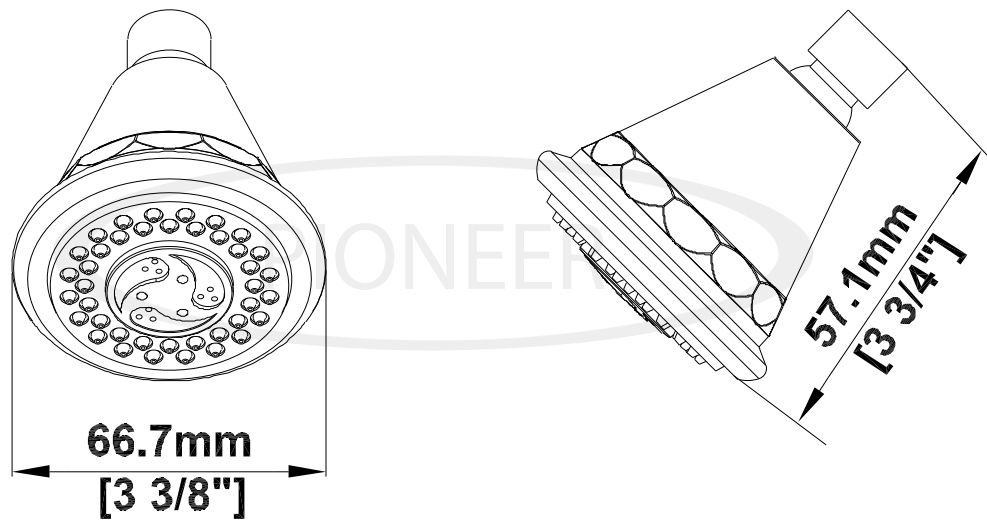
Model	Description	Finishes	
#4PR100T	Single Handle Tub and Shower Trim Set	PC	Other___



ENGINEERING EXCELLENCE

Pioneer: 1-800-338-9468  
 Commerce, CA 90040  
 www.pioneerind.com  
 Pioneer Industries, Inc. © 2009

DMSPX-6400042/REV. 12 2009  
 Page 1 of 2



Product Diagram



ENGINEERING EXCELLENCE

Pioneer: 1-800-338-9468  
Commerce, CA 90040  
www.pioneerind.com  
Pioneer Industries, Inc. © 2009