



ENGINEERING EXCELLENCE

#X-6400026

SPECIFICATION SHEET

DESCRIPTION

- Extended Front Lift Diverter Tub Spout-Combo 1/2" IPS/Slip-On Inlet
- 7" Reach

FINISHES

- PC PVD Polished Chrome
- BN PVD Brushed Nickel



#X-6400026 SHOWN

STANDARDS APPLICABLE

- ASME A112.18.1

Model #: _____

Specific Features: _____

Project Name: _____

Submitted For: _____

Model	Description	Finishes	
X-6400026	Extended Front Lift Diverter Tub Spout	PC	Other___



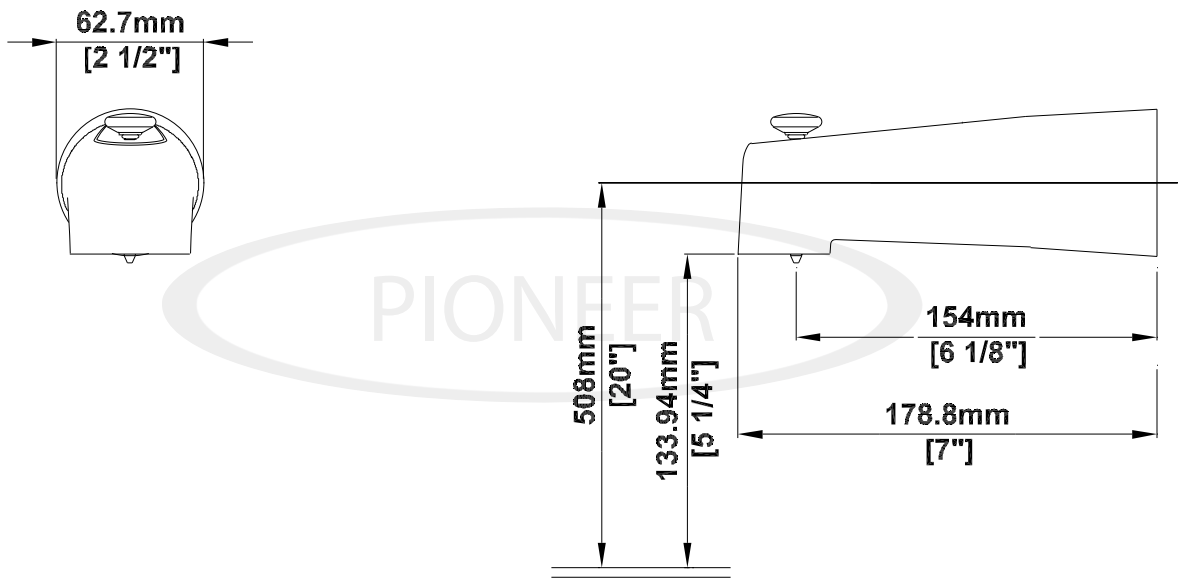
ENGINEERING EXCELLENCE

Pioneer: 1-800-338-9468
 Commerce, CA 90040
 www.pioneerind.com
 Pioneer Industries, Inc. © 2009

DMSPX-6400026/REV. 12 2009
 Page 1 of 2

Installation Note:

For Slip-Fit Installation- 1/2" nominal copper tube minimum length 3-1/2" to maximum length of 3-7/8"
 For IPS Installation- 1/2" nominal pipe minimum length of 2-3/8" to maximum length of 2-5/8"



Product Diagram



ENGINEERING EXCELLENCE

Pioneer: 1-800-338-9468
 Commerce, CA 90040
 www.pioneerind.com
 Pioneer Industries, Inc. © 2009